

## General Specifications

Motor Structure: Shaded Pole Induction Motor  
 Motor Protection: Impedance Protection  
 Insulation Resistance:  
 10M Ω or over with a DC500V Megger  
 Dielectric Withstand Voltage: AC 700V 1s  
 Allowable Ambient Temperature Range:  
 -10°C ~ +70°C (Operating)  
 -40°C ~ +70°C (Storage)  
 (non-condensing environment)

## Expected Life

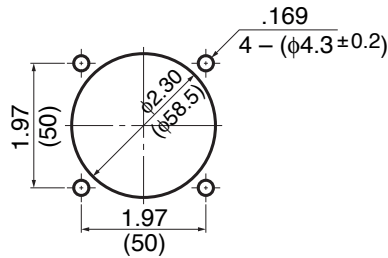
Failure Rate: 10%  
 25°C 100,000 Hours

## Material

Casing : Aluminum Black Painting  
 Impeller : Plastic (Black) UL94V-0  
 Bearing : Ball Bearing  
 Lead Wire : UL3266, AWG22

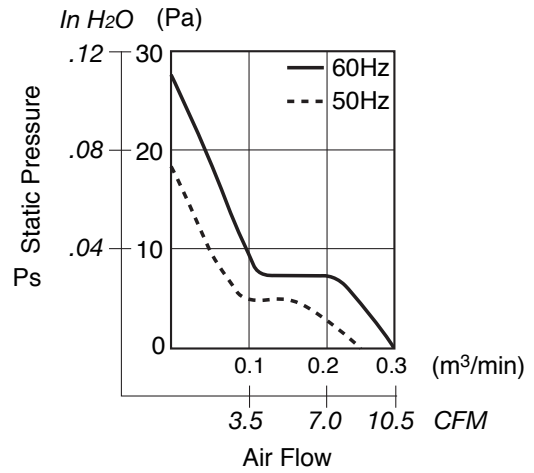
## Panel Cut-Outs

Units:  $\frac{\text{inch}}{\text{mm}}$

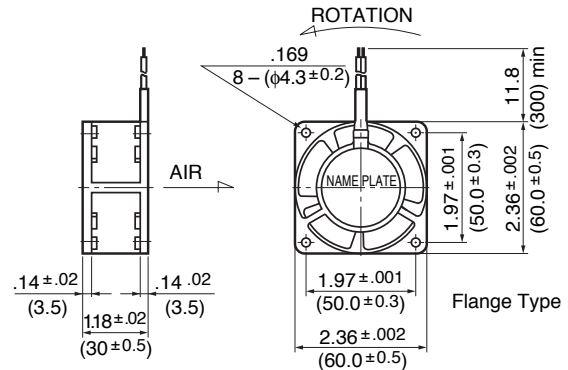


INLET SIDE / OUTLET SIDE

## Characteristic Curves



## Outline



## Specifications

MODEL	LEGACY P/N	Rated Voltage	Frequency	Starting Voltage	Current	Input Power	Speed	Max. Air Flow		Max. Static Pressure		Noise	Mass
		(V)	(Hz)	(V)	(A) <sup>*1</sup>	(W) <sup>+10% -20%</sup>	(min <sup>-1</sup> ) <sup>2</sup>	CFM <sup>*1</sup>	(m <sup>3</sup> /min) <sup>2</sup>	in H <sub>2</sub> O	(Pa) <sup>2</sup>	(dB) <sup>2</sup>	(g)
06030PB-A0L-AA-00	2412PS-10W-B30-B00	100	50	65	0.080	6.0	2000	7.0	0.20	0.05	13.7	28	140
		100	60	65	0.070	5.0	2600	9.1	0.26	0.09	22.6	29	140
06030PB-A1L-AA-00	2412PS-12W-B30-A00	115	50	65	0.070	4.5	2000	7.0	0.20	0.05	13.7	28	140
		115	60	65	0.060	4.0	2600	9.1	0.26	0.09	22.6	29	140

Rotation: Counterclockwise

Airflow Outlet: Air out over struts

\*1: Maximum Values in Free Air

\*2: Average Values in Free Air

\*3: Minimum Values in Free Air