

General Specifications

Motor Protection:

Auto Restart/Polarity Protection

Insulation Resistance:

10M Ω or over with a DC500V Megger

Dielectric Withstand Voltage: AC 700V 1s

Allowable Ambient Temperature Range:

N ~ R Class: -10°C ~ +70°C (Operating)

S Class: -10°C ~ +60°C (Operating)

All Class: -40°C ~ +70°C (Storage)
(non-condensing environment)

Expected Life

25°C 100,000 Hours (E00)

Material

Casing : Plastic (Black) UL94V-0

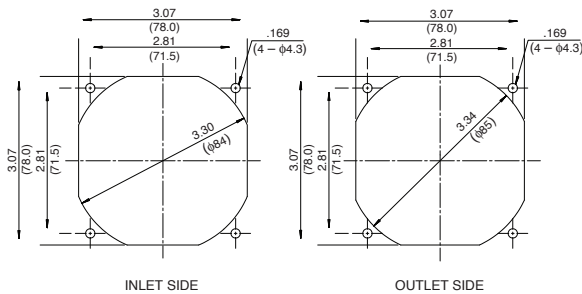
Impeller : Plastic (Black) UL94V-0

Bearing : Ball Bearing

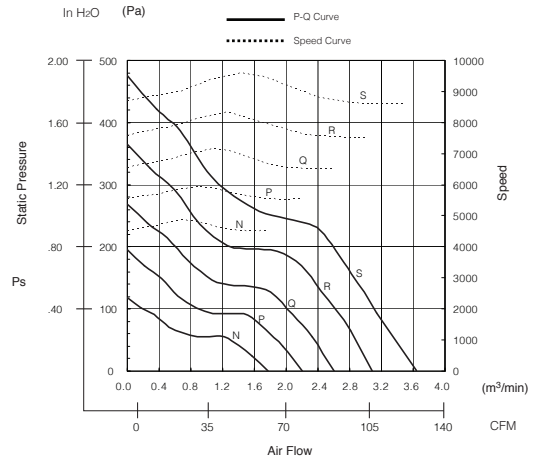
Lead Wire : UL1007, AWG24/26, +Red, -Black

Panel Cut-Outs

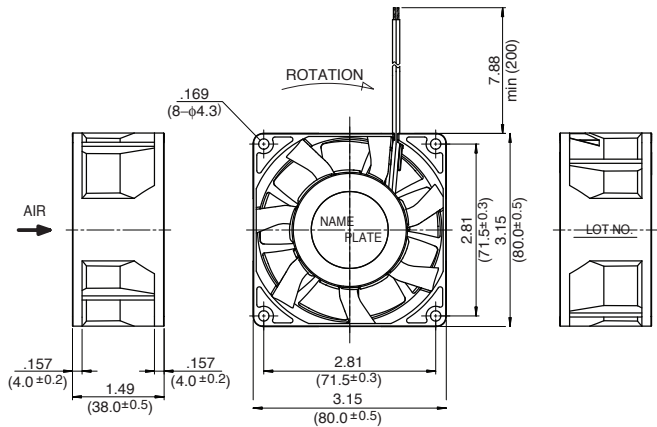
Units: $\frac{\text{inch}}{\text{(mm)}}$



Characteristic Curves



Outline



Specifications

MODEL	LEGACY P/N	Rated Voltage	Operating Voltage	Current	Input Power	Speed	Max. Air Flow		Max. Static Pressure		Noise	Mass
		(V)	(V)	(A) ^{*1}	(W) ^{*1}	(min ⁻¹) ^{*1}	CFM ^{*1}	(m ³ /min) ^{*1}	in H ₂ O	(Pa) ^{*1}	(dB) ^{*1}	(g)
08038RA-12N-EA-D0	3115RL-04W-B50-E00	12	7 ~ 13.8	0.41	4.9	4500	61.8	1.75	0.46	115	46.0	210
08038RA-12P-EA-D0	3115RL-04W-B60-E00	12	7 ~ 13.8	0.73	8.8	5500	75.9	2.15	0.72	180	51.0	210
08038RA-12Q-EA-D0	3115RL-04W-B70-E00	12	7 ~ 13.8	1.15	13.8	6500	91.8	2.60	1.04	260	56.0	210
08038RA-24R-EA-D0	3115RL-04W-B80-E00	12	7 ~ 13.2	1.75	21.0	7500	105.9	3.00	1.42	355	59.5	210
08038RA-24S-EA-D0	3115RL-04W-B90-E00	12	7 ~ 13.0	2.70	32.4	8600	123.6	3.50	1.88	470	62.5	210

Rotation: Clockwise

Airflow Outlet: Air Out Over Struts

*1: Average Values in Free Air

Note: For Locked Rotor and Tach Signal contact NMB