



General Specifications

Motor Protection:

Auto Restart/Polarity Protection

Insulation Resistance: 10M Ω or over with a DC500V Megger

Dielectric Withstand Voltage: AC 700V 1s

Allowable Ambient Temperature Range:

-10°C ~ +60°C (Operating)

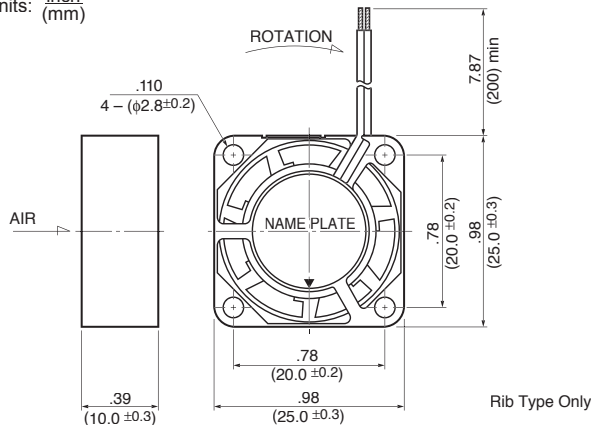
-40°C ~ +70°C (Storage)

(non-condensing environment)

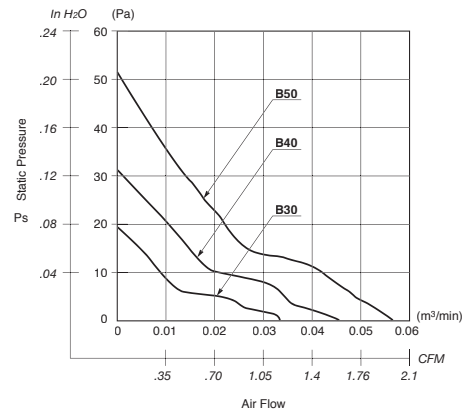
For New Designs we Recommend
New Sleeve Bearing Fan Series
02510SS

Outline

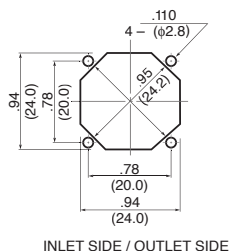
Units: $\frac{\text{inch}}{\text{mm}}$



Characteristic Curves



Panel Cut-outs



Material

Casing : Plastic (Black) 94V-0

Impeller : Plastic (Black) 94V-0

Bearing : Ball Bearing

Lead Wire: UL1061, AWG26, +Red, -Black

Specifications

MODEL	Product No.	Rated Voltage	Operating Voltage	Current	Input Power	Speed	Max. Air Flow		Max. Static Pressure		Noise	Mass
		(V)	(V)	(A) ^{*1}	(W) ^{*1}	(min ⁻¹) ^{*1}	CFM ^{*1}	(m ³ /min) ^{*1}	in H ₂ O	(Pa) ^{*1}	(dB) ^{*1}	(g)
1004KL-01W-B30-	X00	5	4.5 ~ 5.5	0.065	0.325	7000	1.2	0.034	.078	19.5	20.0	7.5
1004KL-01W-B40-	X00	5	4.5 ~ 5.5	0.085	0.425	9000	1.6	0.046	.126	31.6	22.0	7.5
1004KL-01W-B50-	X00	5	4.5 ~ 5.5	0.125	0.625	11000	2.0	0.057	.20	50.6	25.0	7.5
1004KL-04W-B30-	X00	12	8 ~ 13.8	0.035	0.42	7000	1.2	0.034	.078	19.5	20.0	7.5
1004KL-04W-B40-	X00	12	8 ~ 13.8	0.045	0.54	9000	1.6	0.046	.126	31.6	22.0	7.5
1004KL-04W-B50-	X00	12	8 ~ 13.8	0.060	0.72	11000	2.0	0.057	.20	50.6	25.0	7.5

Rotation: Clockwise

Airflow Outlet: Air Out Over Struts

*1: Average Values in Free Air