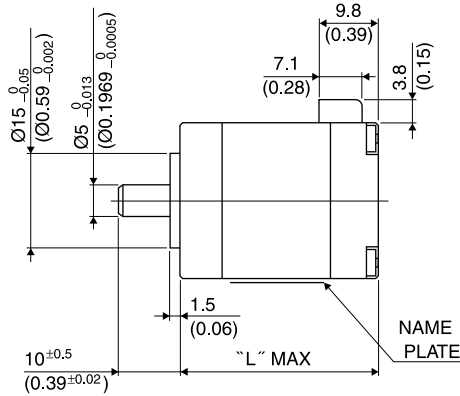
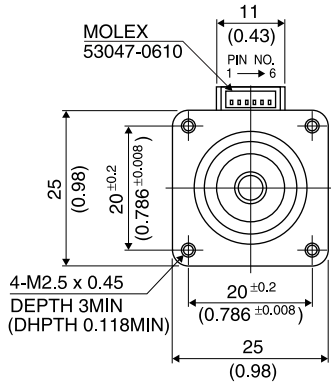


## Outline

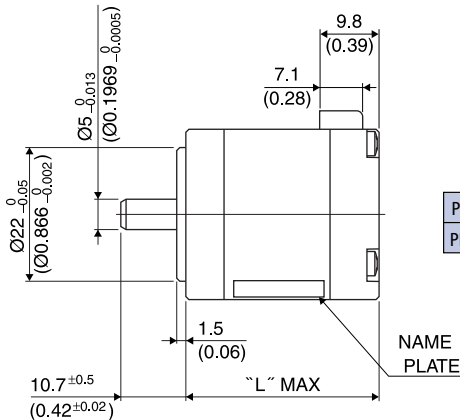
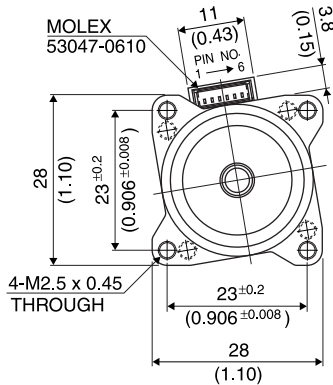
- LEAD WIRE SIDE
- HSG: 51021-0600
- PIN : 50079-8000



Hybrid

□28mm Motor frame size of 28mm is also available.

- LEAD WIRE SIDE
- HSG: 51021-0600
- PIN : 50079-8000



UNIT: mm  
(inch)

	"L"
10PM-K2**	23.5 (0.92)
10PM-K0**	27.5 (1.08)
10PM-K7**	33 (1.30)
10PM-K1**	40.5 (1.59)
10PM-K4**	51.5 (2.03)

PIN NO. vs. PHASE

PHASE	A	B	$\bar{A}$	$\bar{B}$
PIN NO.	4	1	6	3

## Specifications

Model	Step Angle (deg)	Drive Sequence	Rated Current (A)	Resistance (Ohms)	Holding Torque (mNm)	Inductance (mH)	Rotor Inertia (g·cm <sup>2</sup> )	Detent Torque (mNm)	Mass (g)
10PM-K013B	1.8	BI-POLAR	0.21	47.0	49	30.0	3	2.5	70
10PM-K105B	1.8	BI-POLAR	1.5	1.2	90	1.0	8	4.0	110
10PM-K106B	1.8	BI-POLAR	1.0	2.8	90	2.5	8	4.0	110
10PM-K202B	1.8	BI-POLAR	0.7	3.8	33	2.0	2	2.0	55
10PM-K405B	1.8	BI-POLAR	1.5	1.6	120	1.6	12	5.0	150
10PM-K406B	1.8	BI-POLAR	1.0	3.8	120	3.6	12	5.0	150
10PM-K701B	1.8	BI-POLAR	0.63	5.8	62	5.4	5	3.0	90

