

NMB REFRIGERATION | 12038GE (120[□] × 38^L)

NMBTC.COM / 248.919.2250

NEW!

DC Axial Fans

General Specifications

Motor Protection:

Auto Restart

Insulation Resistance:

10M Ω or over with a DC500V Megger

Dielectric Withstand Voltage: AC 700V 1s

Allowable Ambient Temperature Range:

-40°C ~ +40°C (Operating)

-40°C ~ +60°C (Storage)

(non-condensing environment)

Expected Life

-20°C 70,000 Hours (L10)

Material

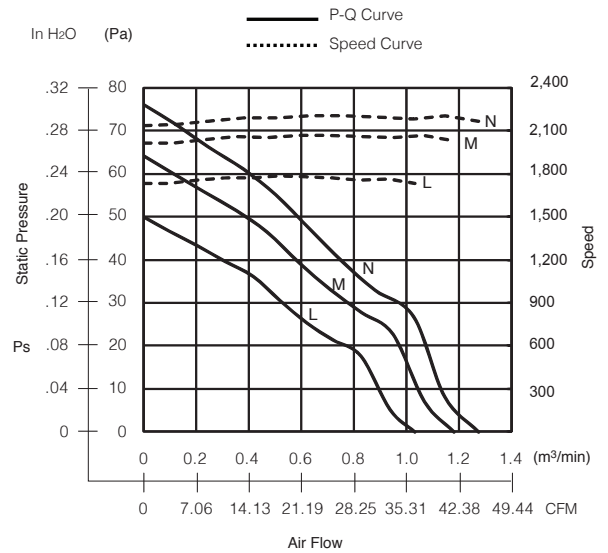
Casing : Plastic (Black) UL94V-0

Impeller : Plastic (Black) UL94V-0

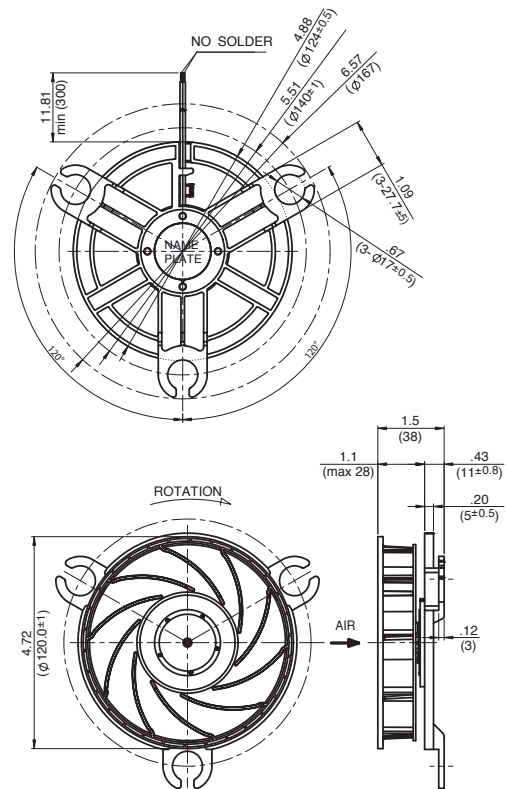
Bearing : Ball Bearing

Lead Wire : UL1007, AWG26, +Red, -Black

Characteristic Curves



Outline



Specifications

MODEL	Rated Voltage	Operating Voltage	Current	Input Power	Speed	Max. Air Flow		Max. Static Pressure		Noise	Mass
	(V)	(V)	(A) ^{*1}	(W) ^{*1}	(min ⁻¹) ^{*1}	CFM ^{*1}	(m ³ /min) ^{*1}	in H ₂ O	(Pa) ^{*1}	(dB) ^{*1}	(g)
12038GE-12L-YA-F0	12	7.0 ~ 13.2	0.15	1.80	1600	36.37	1.03	.20	50.0	32.0	175
12038GE-1M-YA-F0	12	7.0 ~ 13.2	0.21	2.52	1830	41.67	1.18	.26	64.0	36.0	175
12038GE-12N-YA-F0	12	7.0 ~ 13.2	0.24	2.88	1950	45.20	1.28	.31	76.0	38.0	175

Rotation: Clockwise

Airflow Outlet: Air Out Over Struts

*1: Average Values in Free Air

Note: PWM/Locked Rotor/Tach Available