



## General Specifications

### Motor Protection:

Auto Restart/Polarity Protection

**Insulation Resistance:** 10M Ω or over with a DC500V Megger

**Dielectric Withstand Voltage:** AC 700V 1s

### Allowable Ambient Temperature Range:

-10°C ~ +70°C (Operating)

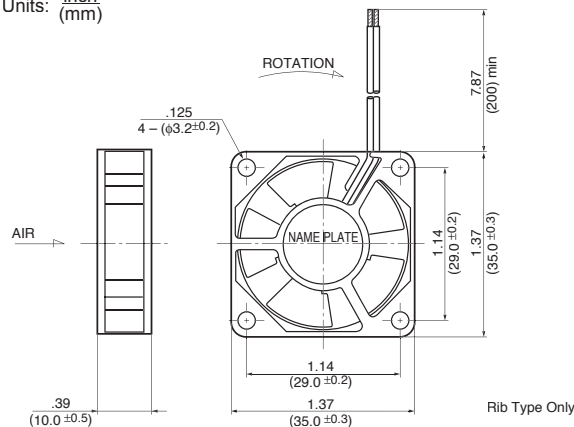
-40°C ~ +70°C (Storage)

(non-condensing environment)

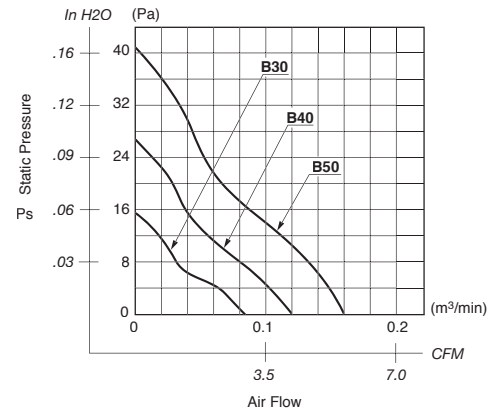
For New Designs we Recommend  
New Sleeve Bearing Fan Series  
**03510SS**

## Outline

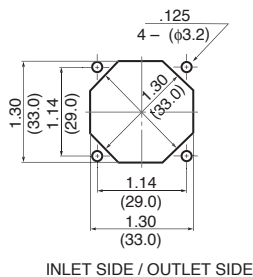
Units:  $\frac{\text{inch}}{\text{mm}}$



## Characteristic Curves



## Panel Cut-outs



## Material

Casing : Plastic (Black) 94V-0  
 Impeller : Plastic (Black) 94V-0  
 Bearing : Ball Bearing  
 Lead Wire: UL1061, AWG26, +Red, -Black

## Specifications

MODEL	Product No.	Rated Voltage	Operating Voltage	Current	Input Power	Speed	Max. Air Flow		Max. Static Pressure		Noise	Mass
		(V)	(V)	(A) <sup>*1</sup>	(W) <sup>*1</sup>	(min <sup>-1</sup> ) <sup>*1</sup>	CFM <sup>*1</sup>	(m <sup>3</sup> /min) <sup>*1</sup>	in H <sub>2</sub> O	(Pa) <sup>*1</sup>	(dB) <sup>*1</sup>	(g)
1404KL-01W-B30-	X00	5	4.5 ~ 5.5	0.08	0.40	5000	3.0	0.086	.06	15.5	19.0	12
1404KL-01W-B40-	X00	5	4.5 ~ 5.5	0.17	0.85	7000	4.2	0.120	.10	26.8	22.0	12
1404KL-01W-B50-	X00	5	4.5 ~ 5.5	0.21	1.05	9000	5.6	0.160	.16	41.0	27.0	12
1404KL-04W-B30-	X00	12	8 ~ 13.8	0.04	0.48	5000	3.0	0.086	.06	15.5	19.0	12
1404KL-04W-B40-	X00	12	8 ~ 13.8	0.07	0.84	7000	4.2	0.120	.10	26.8	22.0	12
1404KL-04W-B50-	X00	12	8 ~ 13.8	0.08	0.96	9000	5.6	0.160	.16	41.0	27.0	12

Rotation: Clockwise

Airflow Outlet: Air Out Over Struts

\*1: Average Values in Free Air