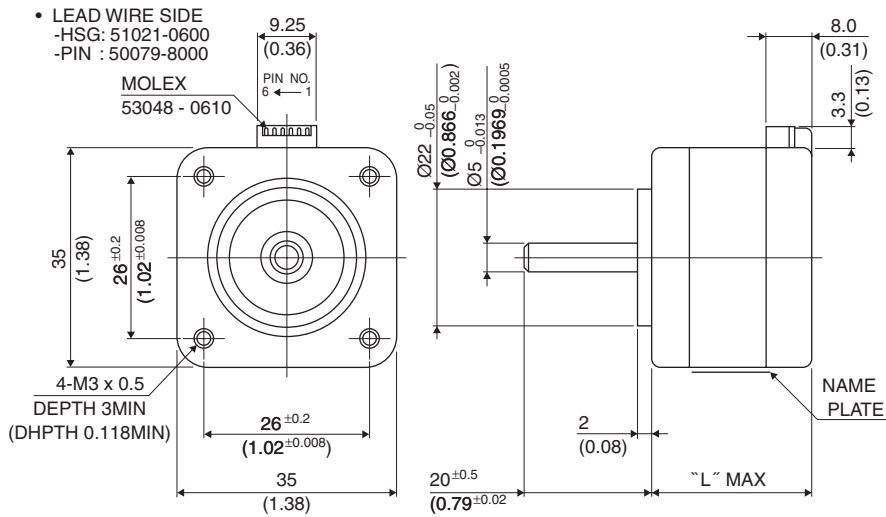


Outline



Hybrid

	"L"
14PY-Z2**	22(0.87)
14PY-Z0**	26(1.02)

PIN NO. vs. PHASE

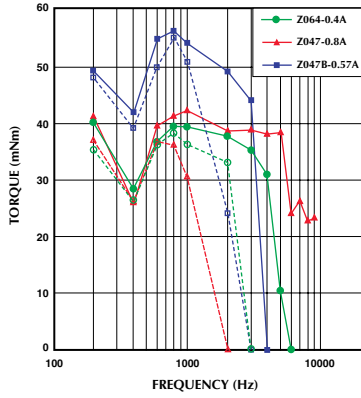
PHASE	A	A COM	\bar{A}	B	B COM	\bar{B}
PIN NO.	4	5	6	3	2	1

Specifications

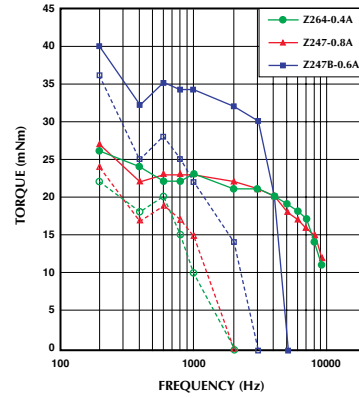
Model	Step Angle (deg)	Drive Sequence	Rated Current (A)	Resistance (Ohms)	Holding Torque (mNm)	Inductance (mH)	Rotor Inertia (g·cm ²)	Detent Torque (mNm)	Mass (g)
14PY-Z047U	0.9	UNI-POLAR	0.8	2.4	40	2.4	8	2.0	120
14PY-Z064U	0.9	UNI-POLAR	0.4	9.0	40	9.3	8	2.0	120
14PY-Z247U	0.9	UNI-POLAR	0.8	1.9	22	1.2	5	1.8	105
14PY-Z264U	0.9	UNI-POLAR	0.4	7	22	4.6	5	1.8	105
14PY-Z047B	0.9	BI-POLAR	0.6	4.8	55	9.3	8	2.0	120
14PY-Z247B	0.9	BI-POLAR	0.6	3.8	35	4.6	5	1.8	105

Torque/Speed Characteristics

Motor TYPE: 14PY-Z0XX
 Driver: Chopper Dual
 Supply Voltage: 24 V (DC)



Motor Type: 14PY-Z2XX
 Driver: Chopper Dual
 Supply Voltage: 24 V (DC)



— : PULL OUT
 - - - : PULL IN