

General Specifications

Motor Protection:

Auto Restart/Polarity Protection

Insulation Resistance:

10M Ω or over with a DC500V Megger

Dielectric Withstand Voltage: AC 700V 1s

Allowable Ambient Temperature Range:

-10°C ~ +70°C (Operating)

-40°C ~ +70°C (Storage)

(non-condensing environment)

Expected Life

25°C 100,000 Hours (L10)

Material

Casing : Aluminum (Black)

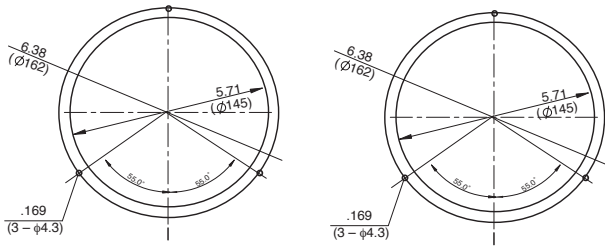
Impeller : Plastic (Black) UL94V-0

Bearing : Ball Bearing

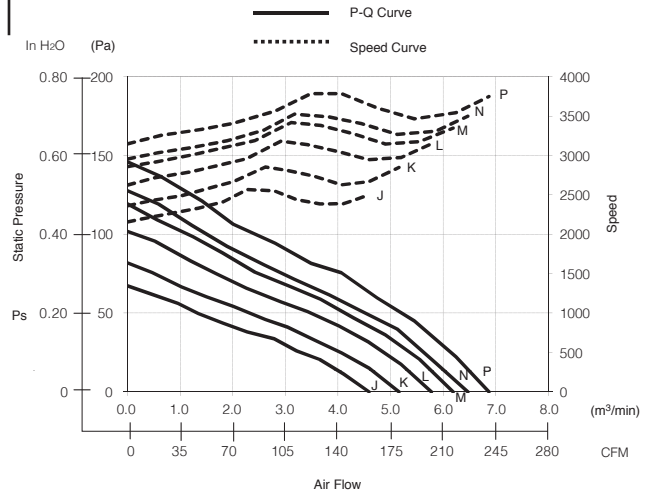
Lead Wire : UL10368, AWG24, +Red, -Black

Panel Cut-Outs

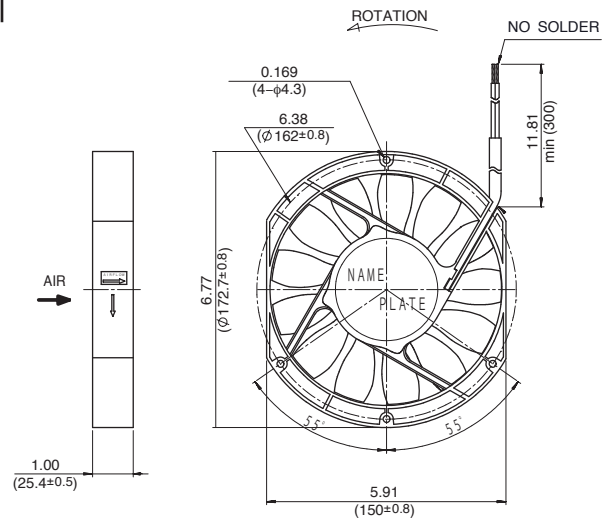
Units: $\frac{\text{inch}}{\text{mm}}$



Characteristic Curves



Outline



Specifications

MODEL	Rated Voltage	Operating Voltage	Current	Input Power	Speed	Max. Air Flow		Max. Static Pressure		Noise	Mass
	(V)	(V)	(A) ^{*1}	(W) ^{*1}	(min ⁻¹) ^{*1}	CFM ^{*1}	(m ³ /min) ^{*1}	in H ₂ O	(Pa) ^{*1}	(dB) ^{*1}	(g)
15025PA-24J-AA-00	24	12.5 ~ 30	0.43	10.32	2500	158.9	4.50	0.27	67.0	53.0	500
15025PA-24K-AA-00	24	12.5 ~ 30	0.55	13.20	2850	180.0	5.10	0.32	81.0	55.5	500
15025PA-24L-AA-00	24	12.5 ~ 30	0.74	17.76	3150	201.2	5.70	0.41	101.0	59.0	500
15025PA-24M-AA-00	24	12.5 ~ 30	0.89	21.36	3350	215.3	6.10	0.47	118.0	60.5	500
15025PA-24N-AA-00	24	12.5 ~ 30	0.99	23.76	3500	225.9	6.40	0.51	127.0	61.5	500
15025PA-24P-AA-00	24	12.5 ~ 30	1.18	28.32	3750	240.0	6.80	0.58	145.0	64.0	500
15025PA-48J-AA-00	48	25 ~ 60	0.22	10.56	2500	158.9	4.50	0.27	67.0	53.0	500
15025PA-48K-AA-00	48	25 ~ 60	0.28	13.44	2850	180.0	5.10	0.32	81.0	55.5	500
15025PA-48L-AA-00	48	25 ~ 60	0.37	17.76	3150	201.2	5.70	0.41	101.0	59.0	500
15025PA-48M-AA-00	48	25 ~ 60	0.44	21.12	3350	215.3	6.10	0.47	118.0	60.5	500
15025PA-48N-AA-00	48	25 ~ 60	0.50	24.00	3500	225.9	6.40	0.51	127.0	61.5	500
15025PA-48P-AA-00	48	25 ~ 60	0.59	28.32	3750	240.0	6.80	0.58	145.0	64.0	500

Rotation: Clockwise

Airflow Outlet: Air Out Over Struts

*1: Average Values in Free Air

Note: Locked Rotor/Tach Available