

General Specifications

Motor Structure: Capacitor Run Induction Motor
 Motor Protection: Thermal Protection
 Insulation Resistance:
 100M Ω or over with a DC500V Megger
 Dielectric Withstand Voltage: AC 1800V 3s
 Allowable Ambient Temperature Range:
 -10°C ~ +60°C (Operating)
 -40°C ~ +70°C (Storage)
 (non-condensing environment)

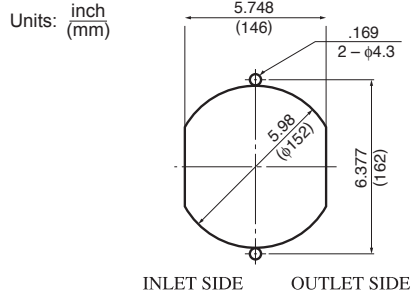
Expected Life

Failure Rate: 10%
 25°C 100,000 Hours

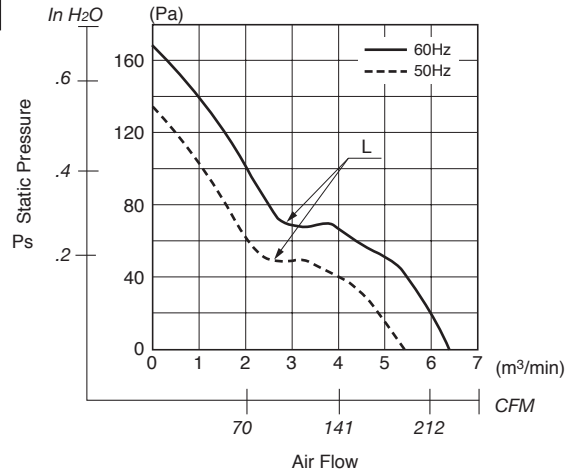
Material

Casing : Aluminum (Black Painting)
 Impeller : Steel
 Bearing : Ball Bearing
 Lead Wire : SPT-1 2X0.824mm² AWG18
 or Terminal : Faston #110 or equivalent

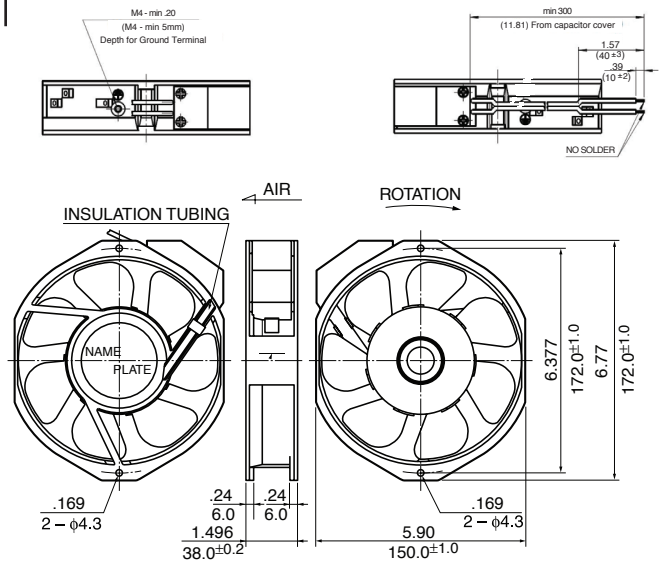
Panel Cut-Outs



Characteristic Curves



Outline



Specifications

MODEL	LEGACY P/N	Rated Voltage	Frequency	Starting Voltage	Current	Input Power	Speed	Max. Air Flow		Max. Static Pressure		Noise	Mass
		(V)	(Hz)	(V)	(A) ^{*1}	(W)	(min ⁻¹) ^{*2}	CFM ^{*1}	(m ³ /min) ^{*2}	in H ₂ O	(Pa) ^{*2}	(dB) ^{*2}	(g)
** 15038PB-A0L-EP-S0	5915PC-10T-B30-S00	100	50	65	0.530	42.0	2650	187.10	5.30	0.510	127.5	48	900
		100	60	65	0.450	40.5	3150	222.39	6.30	0.655	163.8	53	900
15038PB-A1L-EP-S0	5915PC-12T-B30-S00	115	50	75	0.450	40.0	2650	187.10	5.30	0.510	127.5	48	900
		115	60	75	0.400	38.0	3150	222.39	6.30	0.655	163.8	53	900
** 15038PB-B0L-EP-S0	5915PC-20T-B30-S00	200	50	130	0.250	42.0	2650	187.10	5.30	0.510	127.5	48	900
		200	60	130	0.230	40.0	3150	222.39	6.30	0.655	163.8	53	900
** 15038PB-B2L-EP-S0	5915PC-22T-B30-S00	220	50	145	0.250	42.0	2650	187.10	5.30	0.510	127.5	48	900
		220	60	145	0.230	40.0	3150	222.39	6.30	0.655	163.8	53	900
15038PB-B3L-EP-S0	5915PC-23T-B30-S00	230	50	150	0.220	42.0	2650	187.10	5.30	0.510	127.5	48	900
		230	60	150	0.200	40.0	3150	222.39	6.30	0.655	163.8	53	900
** 15038PB-B4L-EP-S0	5915PC-24T-B30-S00	240	50	155	0.200	39.0	2650	187.10	5.30	0.510	127.5	48	900
		240	60	155	0.200	39.0	3150	222.39	6.30	0.655	163.8	53	900

Rotation: Counterclockwise Airflow Outlet: Air Out Over Struts
 ** Contact NMB for Availability

*1: Maximum Values in Free Air
 *2: Average Values in Free Air
 *3: Minimum Values in Free Air