

## General Specifications

### Motor Protection:

Auto Restart/Polarity Protection

### Insulation Resistance:

10M Ω or over with a DC500V Megger

### Dielectric Withstand Voltage: AC 700V 1s

### Allowable Ambient Temperature Range:

-10°C ~ +70°C (Operating)

-40°C ~ +70°C (Storage)

(non-condensing environment)

## Expected Life

25°C 100,000 Hours (L10)

## Material

Casing : Aluminum (Black)

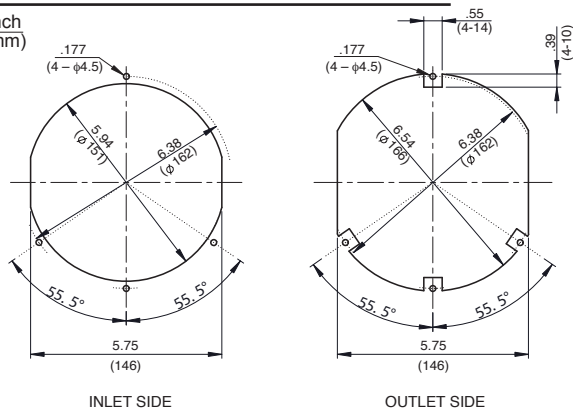
Impeller : Plastic (Black) UL94V-0

Bearing : Ball Bearing

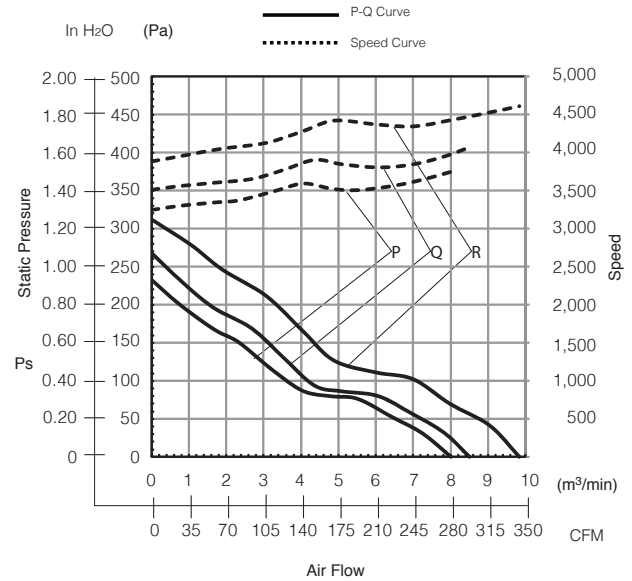
Lead Wire : UL10368, AWG22, +Red, -Black

## Panel Cut-Outs

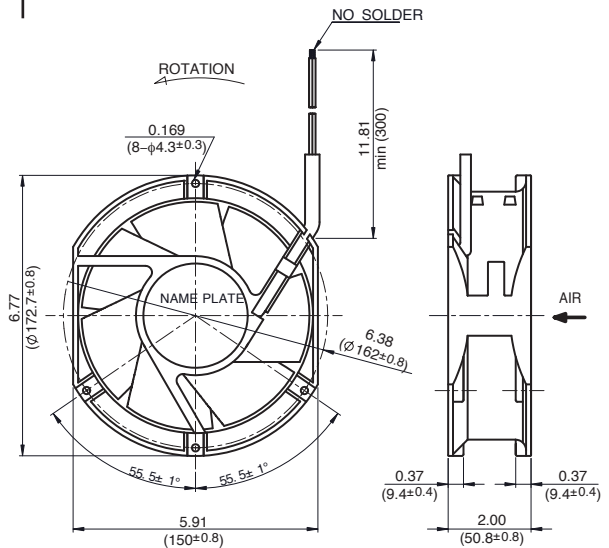
Units: inch (mm)



## Characteristic Curves



## Outline



## Specifications

MODEL	Rated Voltage	Operating Voltage	Current	Input Power	Speed	Max. Air Flow		Max. Static Pressure		Noise	Mass
	(V)	(V)	(A) <sup>*1</sup>	(W) <sup>*1</sup>	(min <sup>-1</sup> ) <sup>*1</sup>	CFM <sup>*1</sup>	(m <sup>3</sup> /min) <sup>*1</sup>	in H <sub>2</sub> O	(Pa) <sup>*1</sup>	(dB) <sup>*1</sup>	(g)
15050VA-24P-EA-00	24	18.0 ~ 26.4	1.10	26.4	3750	282.4	8.0	.93	232.0	62.0	870
15050VA-24Q-EA-00	24	18.0 ~ 26.4	1.30	31.2	4000	300.1	8.5	1.07	267.0	64.0	870
15050VA-24R-EA-00	24	18.0 ~ 26.4	1.80	43.2	4600	345.9	9.8	1.25	312.0	68.0	870
15050VA-48P-EA-00	48	38.0 ~ 52.8	0.55	26.4	3750	282.4	8.0	.93	232.0	62.0	870
15050VA-48Q-EA-00	48	38.0 ~ 52.8	0.65	31.2	4000	300.1	8.5	1.07	267.0	64.0	870
15050VA-48R-EA-00	48	38.0 ~ 52.8	0.90	43.2	4600	345.9	9.8	1.25	312.0	68.0	870

Rotation: Clockwise

Airflow Outlet: Air Out Over Struts

\*1: Average Values in Free Air

Note: PWM/Locked Rotor/Tach Available