

1608KL (40[□]x 20^L)

NMB

NMBTC.COM / 248.919.2250

General Specifications

Motor Protection:

Auto Restart/Polarity Protection

Insulation Resistance: 10M Ω or over with a DC500V Megger

Dielectric Withstand Voltage: AC 700V 1s

Allowable Ambient Temperature Range:

-10°C ~ +70°C (Operating)

-40°C ~ +70°C (Storage)

(non-condensing environment)

Expected Life

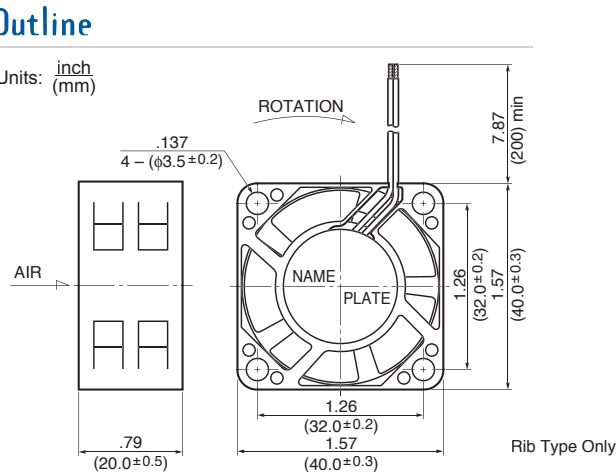
Failure Rate: 10%

25°C 50,000 Hours (L00)

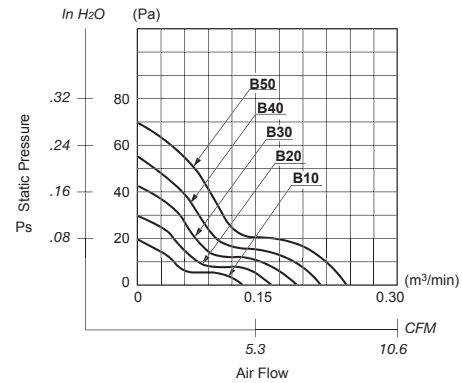
25°C 40,000 Hours (T00)

Outline

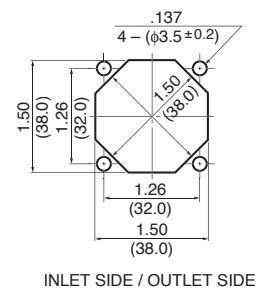
Units: $\frac{\text{inch}}{\text{mm}}$



Characteristic Curves



Panel Cut-outs



Material

Casing : Plastic (Black) 94V-0

Impeller : Plastic (Black) 94V-0

Bearing : Ball Bearing

Lead Wire : UL1061, AWG26, +Red, -Black

Specifications

MODEL	Product No.	Rated Voltage	Operating Voltage	Current	Input Power	Speed	Max. Air Flow		Max. Static Pressure		Noise	Mass
		(V)	(V)	(A) ^{*1}	(W) ^{*1}	(min ⁻¹) ^{*1}	CFM ^{*1}	(m ³ /min) ^{*1}	in H ₂ O	(Pa) ^{*1}	(dB) ^{*1}	(g)
1608KL-01W-B10-	X00	5	4.5 ~ 5.5	0.07	0.35	4500	4.9	0.14	.08	20.0	20.0	25
1608KL-01W-B20-	X00	5	4.5 ~ 5.5	0.12	0.60	5500	6.0	0.17	.12	30.1	22.5	25
1608KL-01W-B30-	X00	5	4.5 ~ 5.5	0.17	0.85	6500	7.4	0.21	.17	42.2	25.5	25
1608KL-01W-B40-	X00	5	4.5 ~ 5.5	0.27	1.35	7500	8.4	0.24	.21	54.2	29.0	25
1608KL-01W-B50-	X00	5	4.5 ~ 5.5	0.38	1.90	8500	9.5	0.27	.28	69.4	33.0	25
1608KL-04W-B10-	X00	12	10.2 ~ 13.8	0.04	0.48	4500	4.9	0.14	.08	20.0	20.0	25
1608KL-04W-B20-	X00	12	10.2 ~ 13.8	0.06	0.72	5500	6.0	0.17	.12	30.1	22.5	25
1608KL-04W-B30-	X00	12	10.2 ~ 13.8	0.07	0.84	6500	7.4	0.21	.17	42.2	25.5	25
1608KL-04W-B40-	X00	12	10.2 ~ 13.8	0.09	1.08	7500	8.4	0.24	.21	54.2	29.0	25
1608KL-04W-B50-	X00	12	10.2 ~ 13.8	0.11	1.32	8500	9.5	0.27	.28	69.4	33.0	25
1608KL-05W-B10-	X00	24	20.0 ~ 25.2	0.04	0.96	4500	4.9	0.14	.08	20.0	20.0	25
1608KL-05W-B20-	X00	24	20.0 ~ 25.2	0.05	1.20	5500	6.0	0.17	.12	30.1	22.5	25
1608KL-05W-B30-	X00	24	20.0 ~ 25.2	0.06	1.44	6500	7.4	0.21	.17	42.2	25.5	25
1608KL-05W-B40-	X00	24	20.0 ~ 25.2	0.07	1.68	7500	8.4	0.24	.21	54.2	29.0	25
1608KL-05W-B50-	X00	24	20.0 ~ 25.2	0.08	1.92	8500	9.5	0.27	.28	69.4	33.0	25

Rotation: Clockwise

Airflow Outlet: Air Out Over Struts

*1: Average Values in Free Air