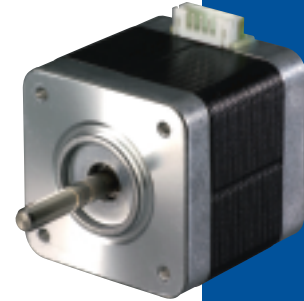
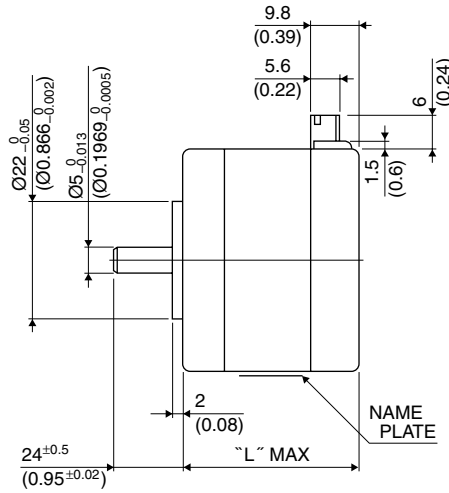
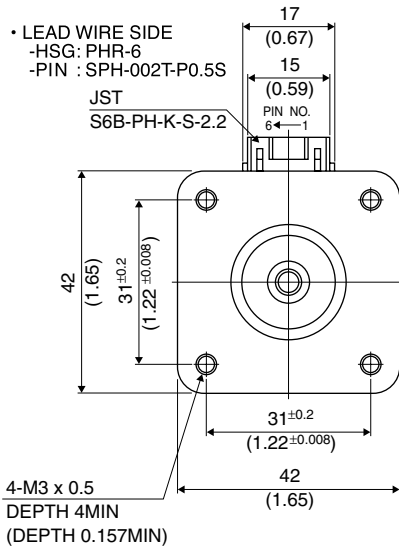


Outline



Hybrid

	"L"
17PM-F1**	42 (1.65)
17PM-F4**	48 (1.89)
17PM-FA**	60 (2.36)

PIN NO. vs. PHASE

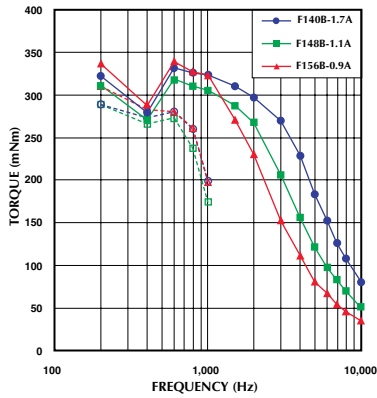
PHASE	A	\bar{A}	B	\bar{B}
PIN NO.	4	6	3	1

Specifications

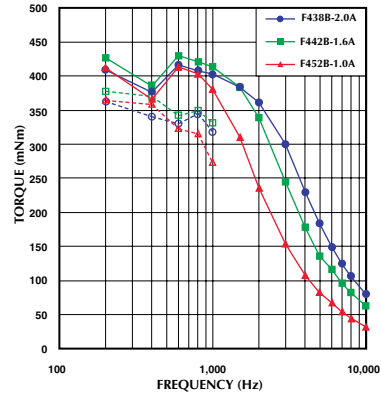
Model	Step Angle (deg)	Drive Sequence	Rated Current (A)	Resistance (Ohms)	Holding Torque (mNm)	Inductance (mH)	Rotor Inertia (g·cm ²)	Detent Torque (mNm)	Mass (g)
17PM-F140B	1.8	BI-POLAR	1.7	1.4	340	2.2	84	18.6	320
17PM-F148B	1.8	BI-POLAR	1.1	3.0	340	4.8	84	18.6	320
17PM-F156B	1.8	BI-POLAR	0.9	5.5	340	8.5	84	18.6	320
17PM-F438B	1.8	BI-POLAR	2	1.1	430	2.3	110	23.5	380
17PM-F442B	1.8	BI-POLAR	1.6	1.9	430	3.8	110	23.5	380
17PM-F452B	1.8	BI-POLAR	1	5.0	430	9.0	110	23.5	380
17PM-FA38B	1.8	BI-POLAR	2	1.8	690	3.7	162	39.2	510
17PM-FA49B	1.8	BI-POLAR	1.3	4.5	690	9.2	162	39.2	510

Torque/Speed Characteristics

Model No: 17PM-F140B,F148B,F156B
 Driver: Chopper Dual
 Supply Voltage: 24.0 (Volt)



Model No: 17PM-F438B,F442B,F452B
 Driver: Chopper Dual
 Supply Voltage: 24.0 (Volt)



Model No: 17PM-FA38B,FA49B
 Driver: Chopper Dual
 Supply Voltage: 24.0 (Volt)

