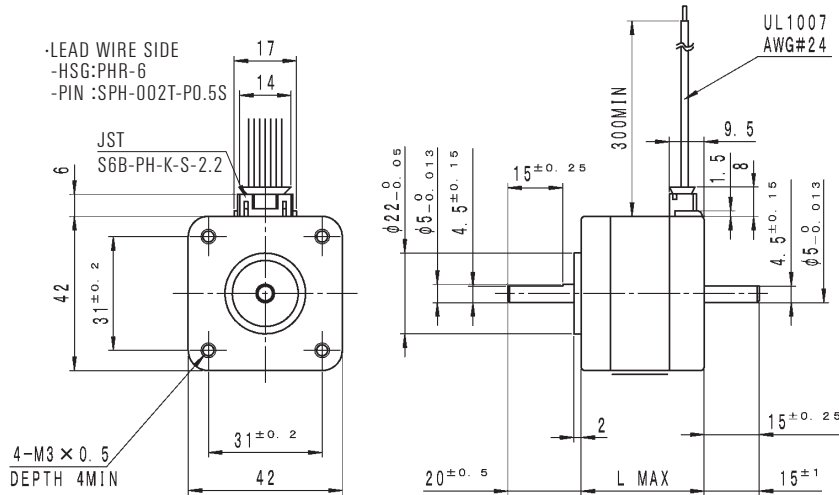


Outline

Standard



Hybrid

	"L"
17PX-X0XX	34 (1.34)
17PX-X8XX	40 (1.58)
17PX-X4XX	48 (1.89)

General Specifications

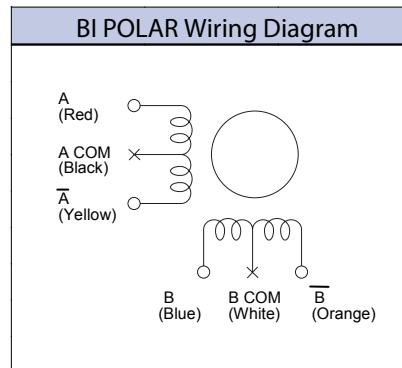
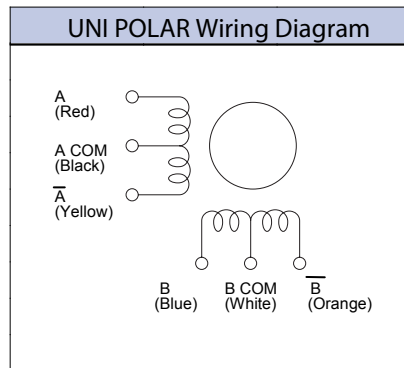
Step Accuracy: ±5%
 Temperature Rise: 80°C MAX
 Ambient Temperature Range: -10 °C ~ +50°C
 Insulation Resistance: 100MΩ MIN. DC500V
 Dielectric Strength: AC500V 1min
 Radial Play: 20μm MAX. (at 4.4N {450gf} [Load])
 End Play: 80μm MAX. (at 4.4N {450gf} [Load])

Specifications

Model	Motor Size	Step Angle	Rated Current	Resistance	Holding Torque	Inductance	Rotor Inertia	Dentent Torque	Mass	Permissible Radial Load
	(mm)	(deg)	(A)	(Ohms)	(mNm)	(mH)	(g·cm ²)	(mNm)	(g)	(N)
17PM-K053-00VS/99VS	□ 42×34	1.8	0.85	4.2	170	6.0	37	6	200	20
17PM-K845-00VS/99VS	□ 42×40	1.8	1.2	2.9	270	4.0	55	12	250	20
17PM-K858-00VS/99VS	□ 42×40	1.8	0.75	7.4	270	10.0	55	12	250	20
17PM-K444-00VS/99VS	□ 42×48	1.8	1.2	3.4	340	4.1	75	20	350	20
17PM-K455-00VS/99VS	□ 42×48	1.8	0.8	7.8	340	8.5	75	20	350	20

*Drive Sequence: Unipolar
 *00VS: Single Shaft, 99VS: Double Shaft
 *Permissible radial load is at the end of shaft
 *The permissible thrust load shall be no greater than the motor mass

Specifications



* Do not connect A COM and B COM. Please insulate individually.
* Apply 70% of Unipolar rated current.

Torque/Speed Characteristics

Model No.: 17PM-K STANDARD

Driver: Chopper Dual Supply

Voltage: 24.0 V (DC)

