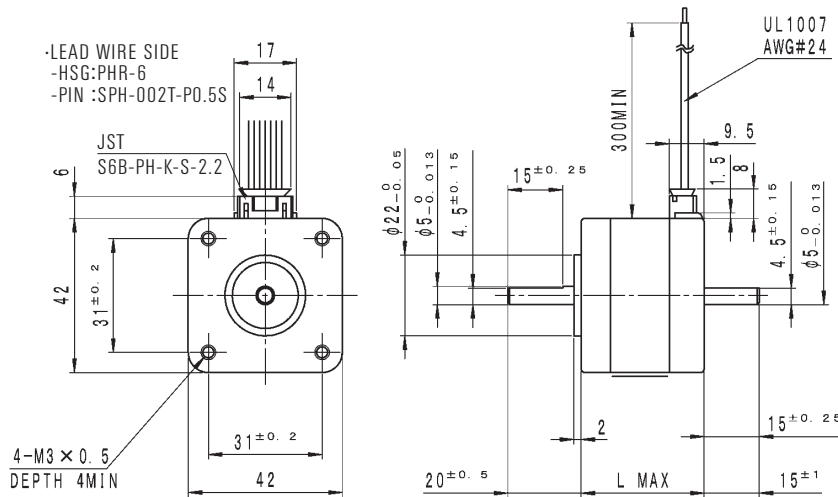


## Outline

### Standard



Hybrid

	"L"
17PX-X0XX	34 (1.34)
17PX-X8XX	40 (1.58)
17PX-X4XX	48 (1.89)

### General Specifications

Step Accuracy: ±5%  
 Temperature Rise: 80°C MAX  
 Ambient Temperature Range: -10 °C ~ +50 °C  
 Insulation Resistance: 100MΩ MIN. DC500V  
 Dielectric Strength: AC500V 1min  
 Radial Play: 20μm MAX. (at 4.4N {450gf} [Load])  
 End Play: 80μm MAX. (at 4.4N {450gf} [Load])

## Specifications

Model	Motor Size (mm)	Step Angle (deg)	Rated Current (A)	Resistance (Ohms)	Holding Torque (mNm)	Inductance (mH)	Rotor Inertia (g·cm <sup>2</sup> )	Dentent Torque (mNm)	Mass (g)	Permissible Radial Load (N)
17PY-Z053-00VS/99VS	42x34	0.9	0.85	4.2	160	8.0	37	11	200	20
17PY-Z845-00VS/99VS	42x40	0.9	1.2	2.9	260	5.3	55	17	250	20
17PY-Z858-00VS/99VS	42x40	0.9	0.75	7.4	260	13.5	55	17	250	20
17PY-Z444-00VS/99VS	42x48	0.9	1.2	3.4	330	5.6	75	24	350	20
17PY-Z455-00VS/99VS	42x48	0.9	0.8	7.8	330	12.8	75	24	350	20

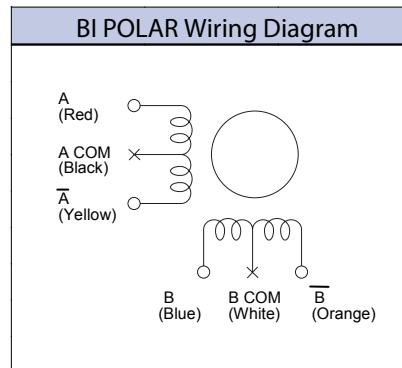
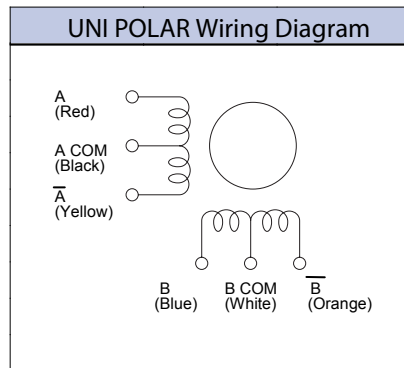
\*Drive Sequence: Unipolar

\*00VS: Single Shaft, 99VS: Double Shaft

\*Permissible radial load is at the end of shaft

\*The permissible thrust load shall be no greater than the motor mass

## Specifications



\* Do not connect A COM and B COM. Please insulate individually.  
 \* Apply 70% of Unipolar rated current.

## Torque/Speed Characteristics

Model No.: 17PY-Z STANDARD  
 Driver: Chopper Dual Supply  
 Voltage: 24.0 V (DC)

