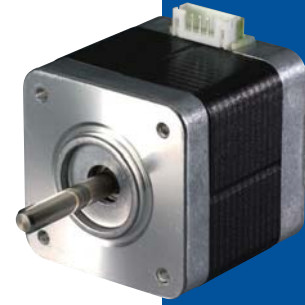
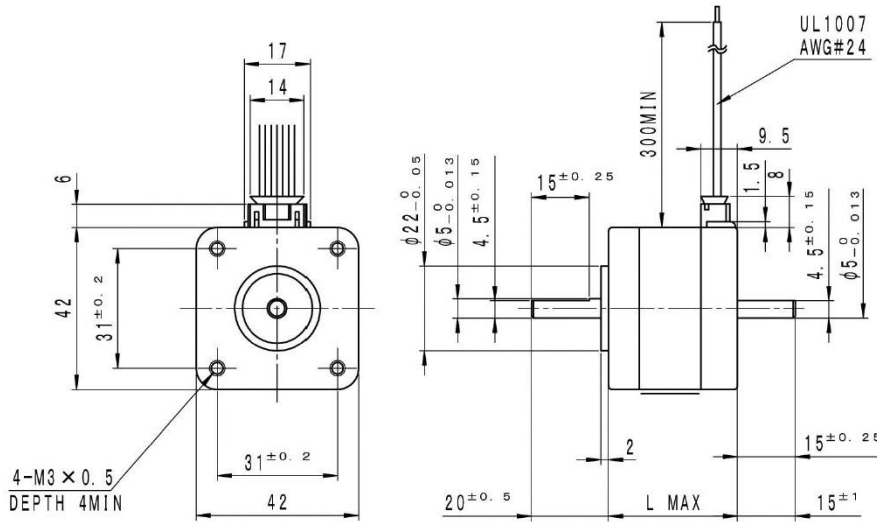


Outline

Standard



Hybrid



	"L"
17PY-X0XX	34 (1.34)
17PY-X8XX	40 (1.57)
17PY-X4XX	48 (1.89)

Specifications

Model	Motor Size (mm)	Step Angle (deg)	Rated Current (A)	Resistance (Ohms)	Holding Torque (mNm)	Mass (g)
17PY-Z053-00VS/99VS	42 ~ 34	0.9	0.85	4.2	160	200
17PY-Z845-00VS/99VS	42 ~ 40	0.9	1.2	2.9	260	300
17PY-Z858-00VS/99VS	42 ~ 40	0.9	0.75	7.4	260	300
17PY-Z444-00VS/99VS	42 ~ 48	0.9	1.2	3.3	330	350
17PY-Z455-00VS/99VS	42 ~ 48	0.9	0.8	7.3	330	350

Torque/Speed Characteristics

Model No.: 17PY-Z053U, Z845U, Z858U, Z444U, Z455U
 Driver: Chopper Dual
 Supply Voltage: 24 (volt)

