



General Specifications

- Motor Protection:**
Auto Restart/Polarity Protection
- Insulation Resistance:** 10M Ω or over with a DC500V Megger
- Dielectric Withstand Voltage:** AC 700V 1s
- Allowable Ambient Temperature Range:**
-10°C ~ +70°C (Operating)
-40°C ~ +70°C (Storage)
(non-condensing environment)

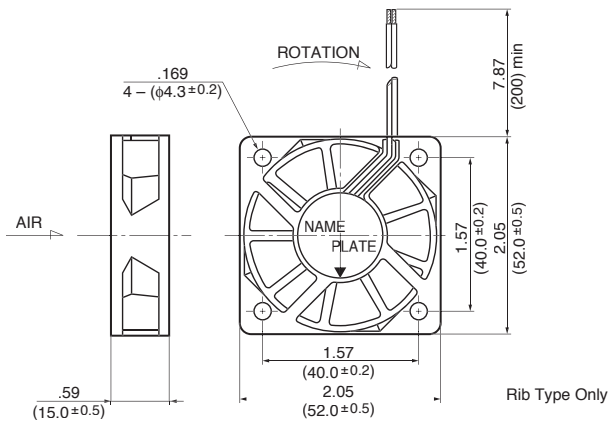
Expected Life

- Failure Rate: 10%**
- 25°C 50,000 Hours (L00)
- 25°C 40,000 Hours (T00)

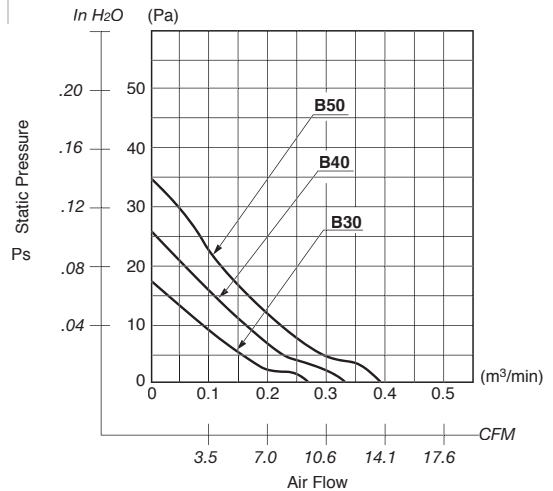
Not Recommended for New Design

Outline

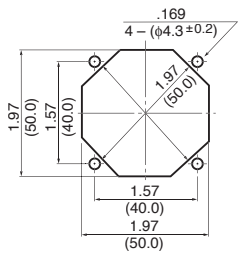
Units: $\frac{\text{inch}}{\text{mm}}$



Characteristic Curves



Panel Cut-outs



Material

- Casing : Plastic (Black) 94V-0
- Impeller : Plastic (Black) 94V-0
- Bearing : Ball Bearing
- Lead Wire : UL1061, AWG26, +Red, -Black

Specifications

MODEL	Product No.	Rated Voltage	Operating Voltage	Current	Input Power	Speed	Max. Air Flow		Max. Static Pressure		Noise	Mass
		(V)	(V)	(A) ^{*1}	(W) ^{*1}	(min ⁻¹) ^{*1}	CFM ^{*1}	(m ³ /min) ^{*1}	in H ₂ O	(Pa) ^{*1}	(dB) ^{*1}	(g)
2106KL-04W-B30-	X00	12	10.2 ~ 13.0	0.07	0.84	3500	9.9	0.28	.07	18.0	21.0	25
2106KL-04W-B40-	X00	12	10.2 ~ 13.0	0.09	1.08	4200	12.0	0.34	.10	26.0	25.5	25
2106KL-04W-B50-	X00	12	10.2 ~ 13.0	0.13	1.56	4900	14.1	0.40	.14	35.0	30.0	25

Rotation: Clockwise

Airflow Outlet: Air Out Over Struts

*1: Average Values in Free Air