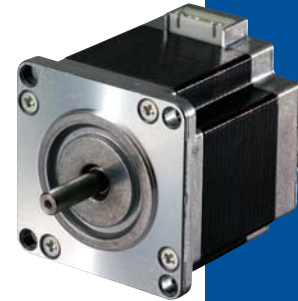
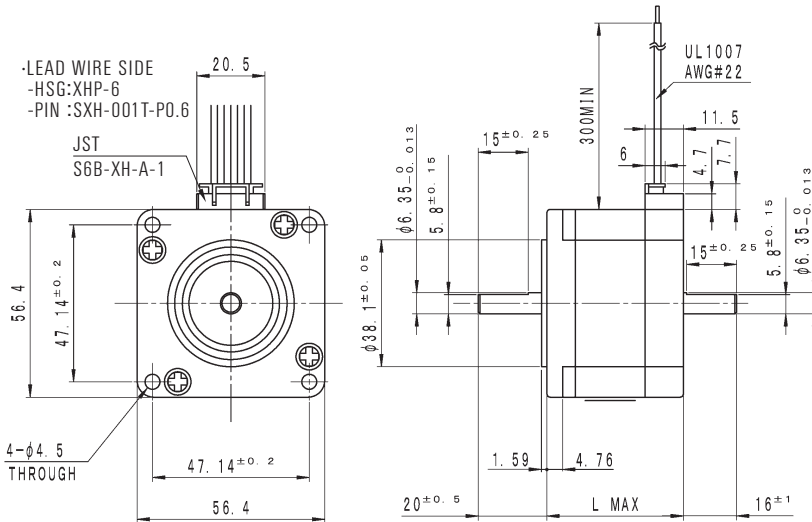


Outline

Standard



Hybrid

	"L"
23KM-K2XX	42 (1.65)
23KM-K0XX	54 (2.13)
23KM-K7XX	76 (2.99)

General Specifications

Step Accuracy: ±5%
 Temperature Rise: 80°C MAX
 Ambient Temperature Range: -10 °C ~ +50 °C
 Insulation Resistance: 100MΩ MIN. DC500V
 Dielectric Strength: AC500V 1min
 Radial Play: 20μm MAX. (at 4.4N {450gf} [Load])
 End Play: 80μm MAX. (at 4.4N {450gf} [Load])

Specifications

Model	Motor Size	Step Angle	Rated Current	Resistance	Holding Torque	Inductance	Rotor Inertia	Dentent Torque	Mass	Permissible Radial Load
	(mm)	(deg)	(A)	(Ohms)	(mNm)	(mH)	(g·cm ²)	(mNm)	(g)	(N)
23KM-K267-00V/99V	□ 56x42	1.8	0.9	5.8	480	8.2	120	20	470	54
23KM-K251-00V/99V	□ 56x42	1.8	1.8	1.5	480	2.4	120	20	470	54
23KM-K244-00V/99V	□ 56x42	1.8	2.9	0.6	480	0.9	120	20	470	54
23KM-K066-00V/99V	□ 56x54	1.8	1.0	7	760	15.1	200	34	680	54
23KM-K049-00V/99V	□ 56x54	1.8	2.0	1.8	760	3.6	200	34	680	54
23KM-K044-00V/99V	□ 56x54	1.8	3.0	0.85	760	1.8	200	34	680	54
23KM-K762-00V/99V	□ 56x76	1.8	1.0	8.6	1,400	17.3	360	50	1,050	54
23KM-K748-00V/99V	□ 56x76	1.8	2.0	2.3	1,400	5.0	360	50	1,050	54
23KM-K743-00V/99V	□ 56x76	1.8	3.0	1.1	1,400	2.2	360	50	1,050	54

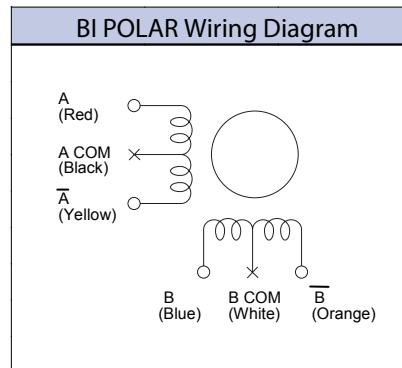
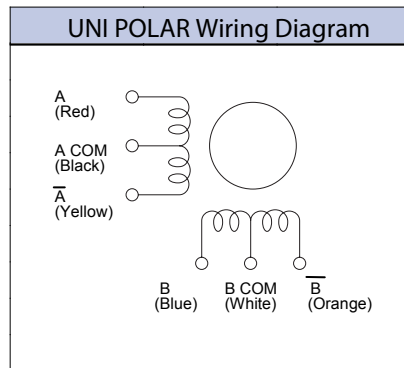
*Drive Sequence: Unipolar

*00V: Single Shaft, 99V: Double Shaft

*Permissible radial load is at the end of shaft

*The permissible thrust load shall be no greater than the motor mass

Specifications



*Do not connect A COM and B COM. Please insulate individually.
*Apply 70% of Unipolar rated current.

Torque/Speed Characteristics

Model No.: 23KM-K STANDARD
Driver: Chopper Dual
Supply Voltage: 24.0 V (DC)

