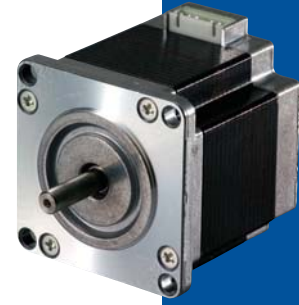
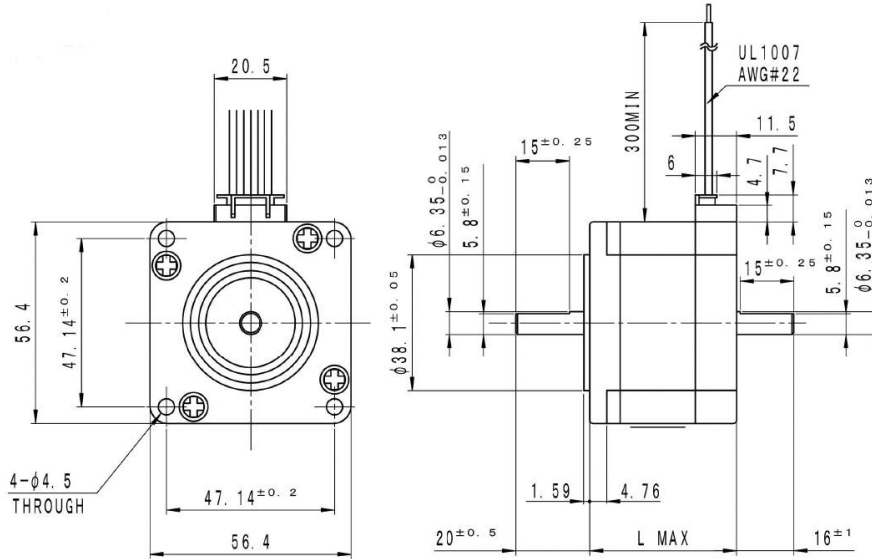


Outline

Standard



Hybrid



	"L"
23KM-K2XX	42 (1.65)
23KM-K0XX	54 (2.13)
23KM-K7XX	76 (2.99)

Specifications

Model	Motor Size (mm)	Step Angle (deg)	Rated Current (A)	Resistance (Ohms)	Holding Torque (mNm)	Mass (g)
23KM-K267-00VS/99VS	56 ~ 42	1.8	0.9	5.8	480	470
23KM-K251-00VS/99VS	56 ~ 42	1.8	1.8	1.5	480	470
23KM-K244-00VS/99VS	56 ~ 42	1.8	2.9	0.6	480	470
23KM-K066-00VS/99VS	56 ~ 54	1.8	1	7	900	680
23KM-K049-00VS/99VS	56 ~ 54	1.8	2	1.7	900	680
23KM-K044-00VS/99VS	56 ~ 54	1.8	3	0.85	900	680
23KM-K762-00VS/99VS	56 ~ 76	1.8	1	8.6	1400	1050
23KM-K748-00VS/99VS	56 ~ 76	1.8	2	2.3	1400	1050
23KM-K743-00VS/99VS	56 ~ 76	1.8	3	1.1	1400	1050

Torque/Speed Characteristics

Model No.: 23KM-K267U, K251U, K244U, K066U, K049U, K044U, K762U, K748U, K743U
 Driver: Chopper Dual
 Supply Voltage: 24 (volt)

