

2404KL (60[□] x 10^L)



EMINEBEA.COM

**End of Life Product
Not Recommended for New Design**

General Specifications

Motor Protection:

Auto Restart/Polarity Protection

Insulation Resistance: 10M Ω or over with a DC500V Megger

Dielectric Withstand Voltage: AC 700V 1s

Allowable Ambient Temperature Range:

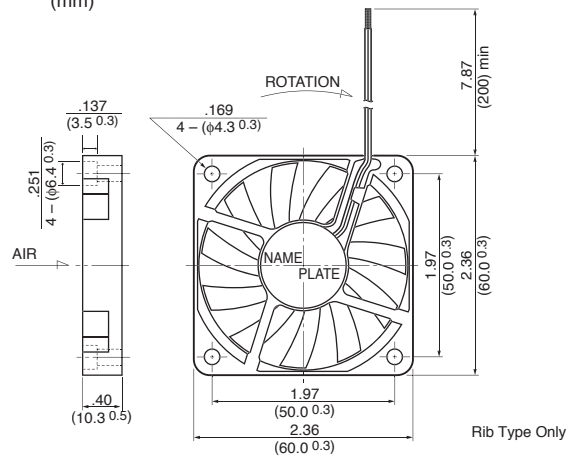
B50 Class: -10°C ~ +60°C (Operating)

B30, B40 Class: -10°C ~ +70°C (Operating)

All Class: -40°C ~ +70°C (Storage)
(non-condensing environment)

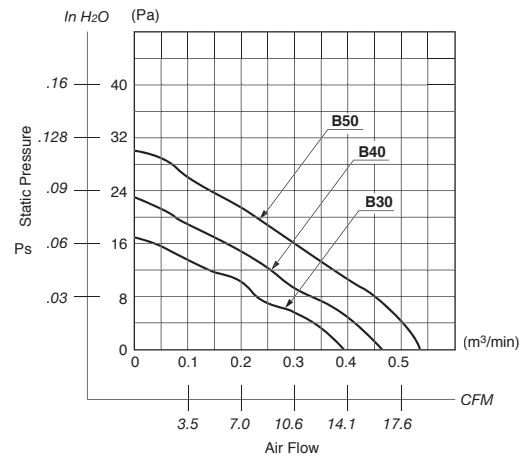
Outline

Units: $\frac{\text{inch}}{\text{mm}}$

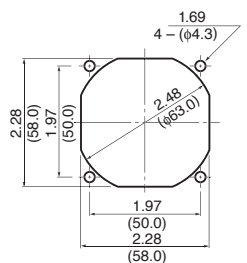


Rib Type Only

Characteristic Curves



Panel Cut-outs



INLET SIDE / OUTLET SIDE

Material

Casing : Plastic (Black) 94V-0

Impeller : Plastic (Black) 94V-0

Bearing : Ball Bearing

Lead Wire: UL1061, AWG26, +Red, -Black

Specifications

MODEL	Product No.	Rated Voltage	Operating Voltage	Current	Input Power	Speed	Max. Air Flow		Max. Static Pressure		Noise	Mass
		(V)	(V)	(A) ^{*1}	(W) ^{*1}	(min ⁻¹) ^{*1}	CFM ^{*1}	(m ³ /min) ^{*1}	in H ₂ O	(Pa) ^{*1}	(dB) ^{*1}	(g)
2404KL-04W-B30-	X00	12	10.2 ~ 13.8	0.10	1.20	3600	13.7	0.39	.07	16.7	29.0	25
2404KL-04W-B40-	X00	12	10.2 ~ 13.8	0.20	2.40	4200	16.2	0.46	.09	23.0	33.0	25
2404KL-04W-B50-	X00	12	10.2 ~ 13.8	0.27	3.24	4800	19.0	0.54	.12	30.1	36.0	25

Rotation: Clockwise

Airflow Outlet: Air Out Over Struts

*1: Average Values in Free Air