



General Specifications

Motor Protection:

Auto Restart/Polarity Protection

Insulation Resistance: 10M Ω or over with a DC500V Megger

Dielectric Withstand Voltage: AC 700V 1s

Allowable Ambient Temperature Range:

-10°C ~ +70°C (Operating)

-40°C ~ +70°C (Storage)

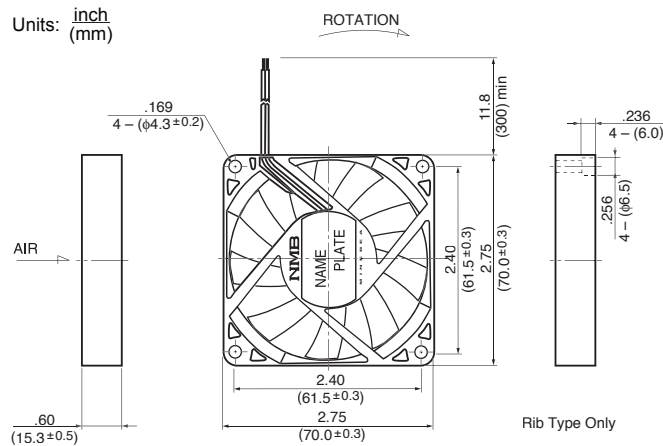
(non-condensing environment)

Expected Life

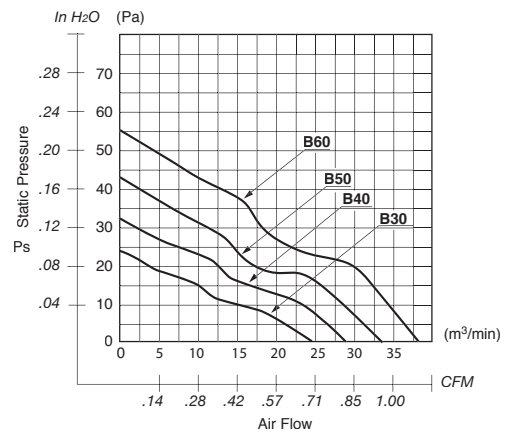
Failure Rate: 10%

25°C 60,000 Hours (C00)

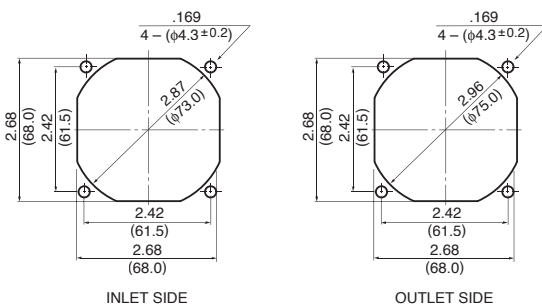
Outline



Characteristic Curves



Panel Cut-outs



Material

Casing : Plastic (Black) 94V-0
 Impeller : Plastic (Black) 94V-0
 Bearing : Ball Bearing
 Lead Wire : UL1007, AWG26, +Red, -Black

Specifications

MODEL	Product No.	Rated Voltage	Operating Voltage	Current	Input Power	Speed	Max. Air Flow		Max. Static Pressure		Noise	Mass
		(V)	(V)	(A) ^{*1}	(W) ^{*1}	(min ⁻¹) ^{*1}	CFM ^{*1}	(m ³ /min) ^{*1}	in H ₂ O	(Pa) ^{*1}	(dB) ^{*1}	(g)
2806KL-04W-B30-	X00	12	7.0 ~ 13.2	0.14	1.68	3000	24.4	0.69	.07	17.3	27.5	60
2806KL-04W-B40-	X00	12	7.0 ~ 13.2	0.17	2.04	3600	29.7	0.84	.10	25.5	33.0	60
2806KL-04W-B50-	X00	12	7.0 ~ 13.2	0.23	2.76	4200	35.0	0.99	.14	34.5	36.5	60
2806KL-04W-B60-	X00	12	7.0 ~ 13.2	0.30	3.60	4500	38.0	1.08	.22	55.8	39.5	60

Rotation: Clockwise

Airflow Outlet: Air Out Over Struts

*1: Average Values in Free Air

For information on 2806KL-04W-B80 contact the sales office.

