



General Specifications

Motor Protection:

Auto Restart/Polarity Protection

Insulation Resistance: 10M Ω or over with a DC500V Megger

Dielectric Withstand Voltage: AC 700V 1s

Allowable Ambient Temperature Range:

-10°C ~ +70°C (Operating)

-40°C ~ +70°C (Storage)

(non-condensing environment)

Expected Life

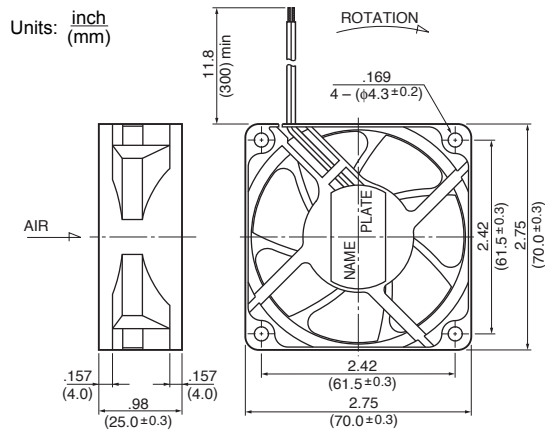
Failure Rate: 10%

25°C 70,000 Hours (P00)

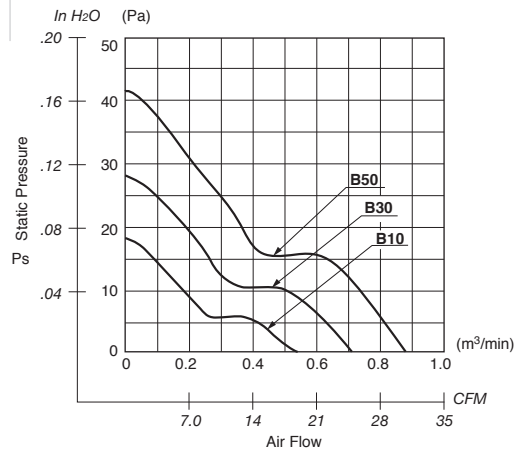
25°C 60,000 Hours (S00)

Not Recommended for New Design

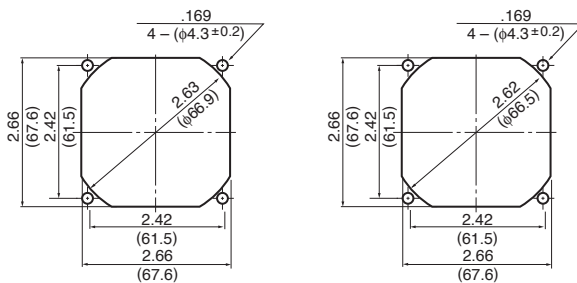
Outline



Characteristic Curves



Panel Cut-outs



Material

Casing : Plastic (Black) 94V-0

Impeller : Plastic (Black) 94V-0

Bearing : Ball Bearing

Lead Wire: UL1007, AWG24, +Red, -Black

Specifications

MODEL	Product No.	Rated Voltage	Operating Voltage	Current	Input Power	Speed	Max. Air Flow		Max. Static Pressure		Noise	Mass
		(V)	(V)	(A) ^{*1}	(W) ^{*1}	(min ⁻¹) ^{*1}	CFM ^{*1}	(m ³ /min) ^{*1}	in H ₂ O	(Pa) ^{*1}	(dB) ^{*1}	(g)
2810KL-04W-B10-	X00	12	6.0 ~ 13.8	0.09	1.08	2400	19.0	0.54	.07	18.0	21.5	72
2810KL-04W-B30-	X00	12	6.0 ~ 13.8	0.15	1.80	3150	25.0	0.71	.11	28.4	28.0	72
2810KL-04W-B50-	X00	12	6.0 ~ 13.8	0.18	2.16	3800	31.0	0.88	.16	41.1	33.5	72
2810KL-04W-B70-	X00	12	6.0 ~ 13.0	0.35	4.20	5000	40.6	1.15	.28	71.7	43.0	72

Rotation: Clockwise

Airflow Outlet: Air Out Over Struts

*1: Average Values in Free Air