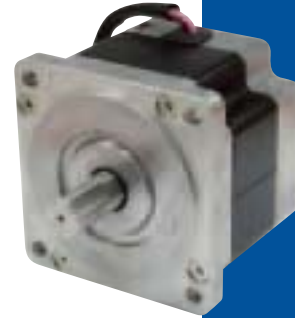
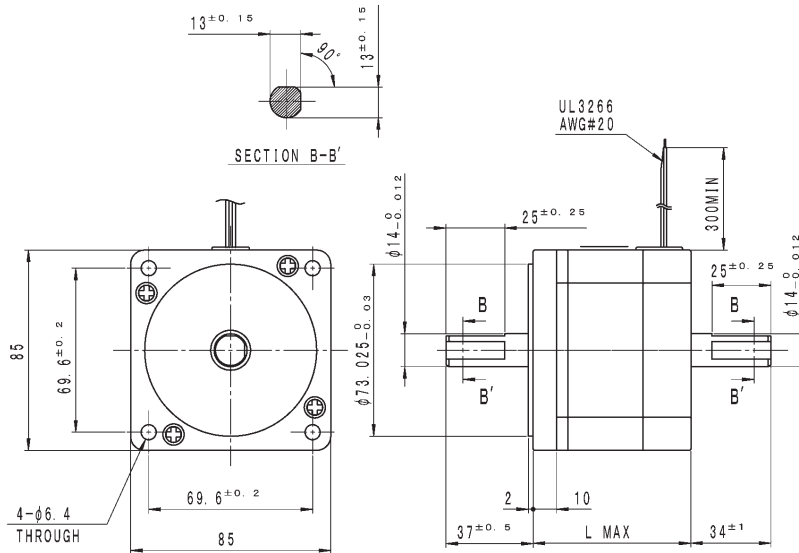


Outline

Standard



Hybrid

	"L"
34KM-K0XX	68 (2.68)
34KM-K1XX	96 (3.78)
34KM-K2XX	124 (4.88)

General Specifications

Step Accuracy: ±5%
 Temperature Rise: 80°C MAX
 Ambient Temperature Range: -10 °C ~ +50 °C
 Insulation Resistance: 100MΩ MIN. DC500V
 Dielectric Strength: AC500V 1min
 Radial Play: 20μm MAX. (at 4.4N {450gf} [Load])
 End Play: 80μm MAX. (at 4.4N {450gf} [Load])

Specifications

Model	Motor Size	Step Angle	Rated Current	Resistance	Holding Torque	Inductance	Rotor Inertia	Dentent Torque	Mass	Permissible Radial Load
	(mm)	(deg)	(A)	(Ohms)	(mNm)	(mH)	(g·cm ²)	(mNm)	(g)	(N)
34KM-K023-00W/99W	□85×68	1.8	1.9	2.8	2,500	8.7	1,200	130	1,800	260
34KM-K012-00W/99W	□85×68	1.8	3.0	1.0	2,500	3.5	1,200	130	1,800	260
34KM-K006-00W/99W	□85×68	1.8	4.8	0.45	2,500	1.5	1,200	130	1,800	260
34KM-K122-00W/99W	□85×96	1.8	1.9	3.9	4,800	16.0	2,400	240	2,900	260
34KM-K112-00W/99W	□85×96	1.8	3.0	1.50	4,800	6.7	2,400	240	2,900	260
34KM-K106-00W/99W	□85×96	1.8	4.8	0.65	4,800	3.0	2,400	240	2,900	260
34KM-K221-00W/99W	□85×124	1.8	2.0	4.9	6,700	23.0	3,700	340	4,000	260
34KM-K206-00W/99W	□85×124	1.8	4.8	0.85	6,700	4.4	3,700	340	4,000	260

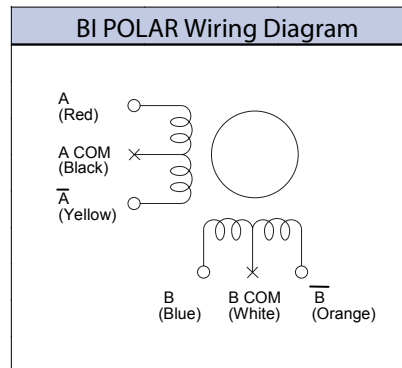
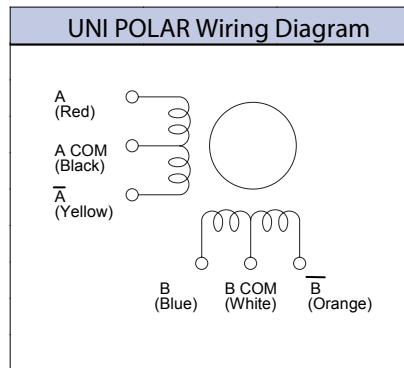
*Drive Sequence: Unipolar

*00W: Single Shaft, 99W: Double Shaft

*Permissible radial load is at the end of shaft

*The permissible thrust load shall be no greater than the motor mass

Specifications



* Do not connect A COM and B COM. Please insulate individually.
 * Apply 70% of Unipolar rated current.

Torque/Speed Characteristics

Model No.: 34KM-K STANDARD
 Driver: Chopper Dual
 Supply Voltage: 24.0 V (DC)

