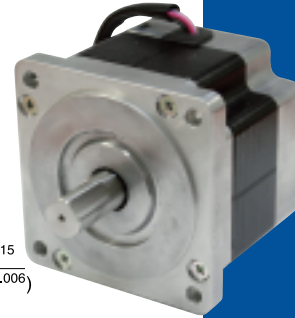
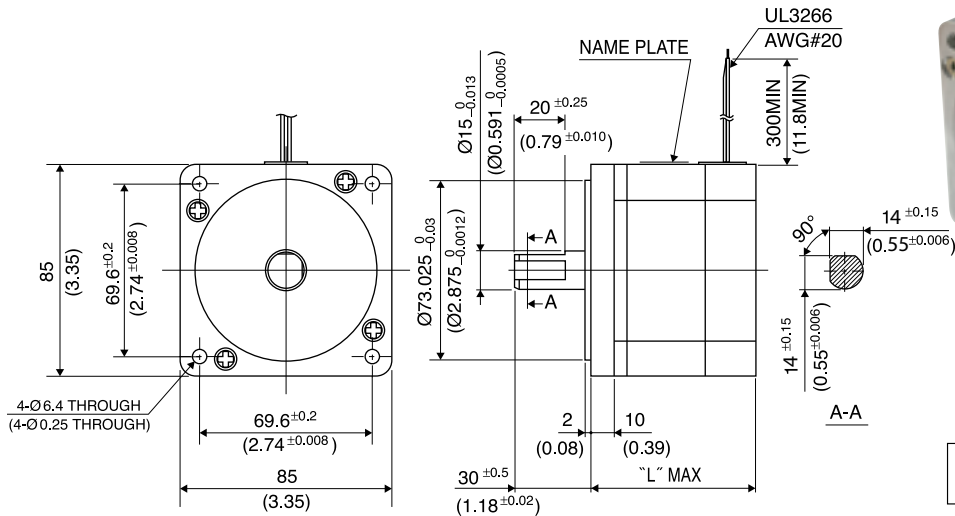


## Outline



Hybrid

UNIT: mm  
(inch)

	"L"
34KM-K0**	68(2.68)
34KM-K1**	96(3.78)
34KM-K2**	124(4.88)

### L/W COLOR vs. PHASE

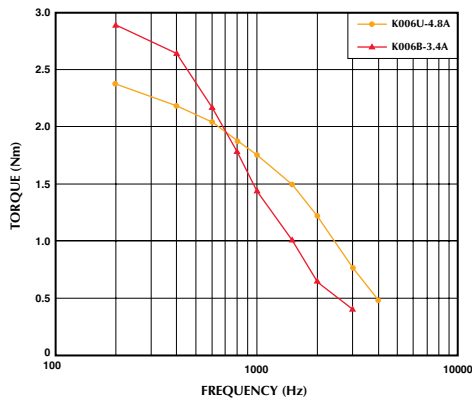
PHASE	A	A COM	$\bar{A}$	B	B COM	$\bar{B}$
L/W COLOR	RED	BLK	YEL	BLU	WHT	ORG

## Specifications

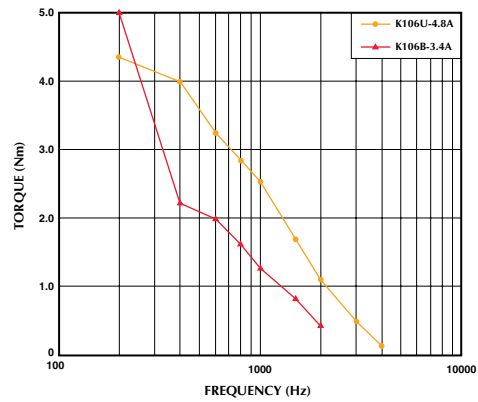
Model	Step Angle (deg)	Drive Sequence	Rated Current (A)	Resistance (Ohms)	Holding Torque (mNm)	Inductance (mH)	Rotor Inertia (g·cm <sup>2</sup> )	Detent Torque (mNm)	Mass (g)
34KM-K006U	1.8	UNI-POLAR	4.8	0.45	2500	1.5	1200	130	1800
34KM-K106U	1.8	UNI-POLAR	4.8	0.65	4800	3.0	2400	240	2900
34KM-K206U	1.8	UNI-POLAR	4.8	0.85	6700	4.4	3700	340	4000
34KM-K006B	1.8	BI-POLAR	3.4	0.9	3300	6.4	1200	130	1800
34KM-K106B	1.8	BI-POLAR	3.4	1.3	6400	12.8	2400	240	2900
34KM-K206B	1.8	BI-POLAR	3.4	1.7	9200	18.0	3700	340	4000

## Torque/Speed Characteristics

Model No: 34KM-K006U/34KM-K006B  
 Driver: Chopper Dual  
 Supply Voltage: 24.0 (Volt)



Model No: 34KM-K106U/34KM-K106B  
 Driver: Chopper Dual  
 Supply Voltage: 24.0 (Volt)



Model No: 34KM-K206U  
 Driver: Chopper Dual  
 Supply Voltage: 24.0 (Volt)

