



General Specifications

Motor Protection:

Auto Restart/Polarity Protection

Insulation Resistance: 10M Ω or over with a DC500V Megger

Dielectric Withstand Voltage: AC 700V 1s

Allowable Ambient Temperature Range:

-10°C ~ +60°C (Operating)

-40°C ~ +70°C (Storage)

(non-condensing environment)

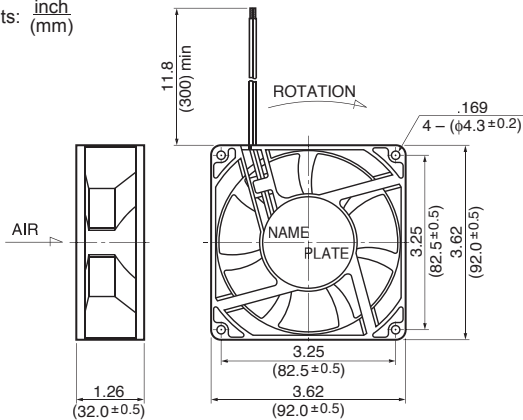
Expected Life

Failure Rate: 10%

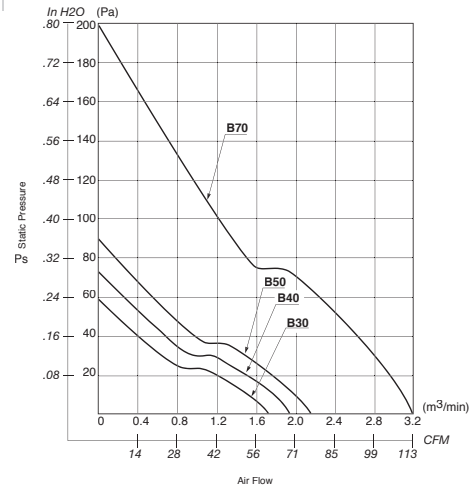
25°C 100,000 Hours (B00, E00)

Outline

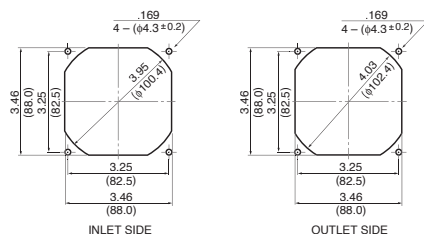
Units: $\frac{\text{inch}}{\text{(mm)}}$



Characteristic Curves



Panel Cut-outs



Material

Casing : Plastic (Black) 94V-0

Impeller : Plastic (Black) 94V-0

Bearing : Ball Bearing

Lead Wire : UL1007, AWG24, +Red, -Black

Specifications

MODEL	Product No.	Rated Voltage	Operating Voltage	Current	Input Power	Speed	Max. Air Flow		Max. Static Pressure		Noise	Mass
		(V)	(V)	(A) ¹	(W) ¹	(min ⁻¹) ¹	CFM ¹	(m ³ /min) ¹	in H ₂ O	(Pa) ¹	(dB) ¹	(g)
3612KL-04W-B30	X00	12	6.0 ~ 13.8	0.21	2.52	2600	47.3	1.34	.16	41.0	34.0	230
3612KL-04W-B40	X00	12	6.0 ~ 13.8	0.31	3.72	3200	58.6	1.66	.24	61.0	38.0	230
3612KL-04W-B50	X00	12	6.0 ~ 13.8	0.47	5.64	3800	69.9	1.98	.33	83.0	43.5	230
3612KL-04W-B60	X00	12	10.5 ~ 13.2	0.48	5.76	4000	70.5	2.00	.38	96.0	44.0	230
3612KL-05W-B30	X00	24	15.0 ~ 27.6	0.10	2.40	2600	47.3	1.34	.16	41.0	34.0	230
3612KL-05W-B40	X00	24	15.0 ~ 27.6	0.16	3.84	3200	58.6	1.66	.24	61.0	38.0	230
3612KL-05W-B50	X00	24	15.0 ~ 27.6	0.25	6.00	3800	69.9	1.98	.33	83.0	43.5	230
3612KL-05W-B60	X00	24	10.0 ~ 27.6	0.23	5.52	3800	47.3	1.98	.33	83.0	43.5	230