



General Specifications

Motor Protection:

Auto Restart/Polarity Protection

Insulation Resistance: 10M Ω or over with a DC500V Megger

Dielectric Withstand Voltage: AC 700V 1s

Allowable Ambient Temperature Range:

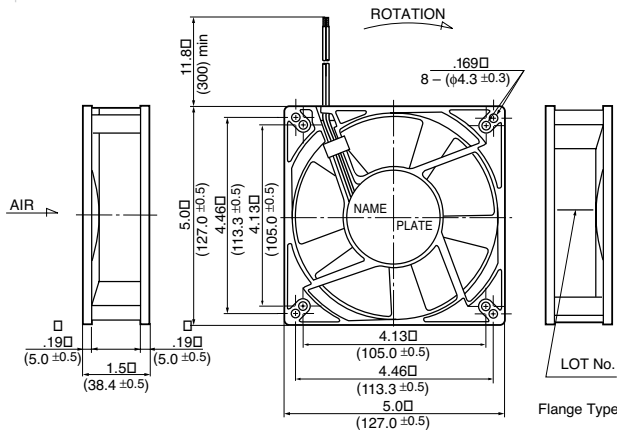
B50 Class: -10°C ~ +60°C (Operating)

B10 ~ B40 Class: -10°C ~ +70°C (Operating)

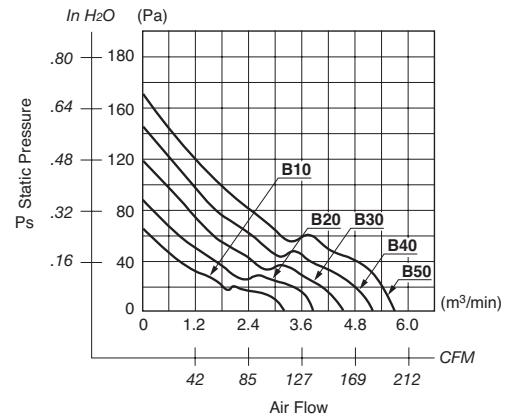
All Class: -40°C ~ +70°C (Storage)
(non-condensing environment)

Outline

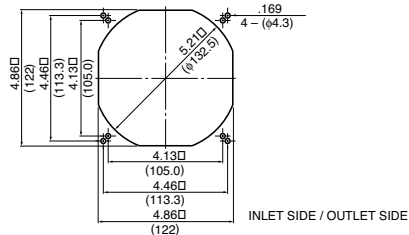
Units: $\frac{\text{inch}}{\text{mm}}$



Characteristic Curves



Panel Cut-outs



Material

Casing : Plastic (Black) 94V-0

Impeller : Plastic (Black) 94V-0

Bearing : Ball Bearing

Lead Wire: UL1007, AWG24, +Red, -Black

Specifications

MODEL	Product No.	Rated Voltage	Operating Voltage	Current	Input Power	Speed	Max. Air Flow		Max. Static Pressure		Noise	Mass
		(V)	(V)	(A) ^{*1}	(W) ^{*1}	(min ⁻¹) ^{*1}	CFM ^{*1}	(m ³ /min) ^{*1}	in H ₂ O	(Pa) ^{*1}	(dB) ^{*1}	(g)
5015KL-04W-B10-	E00	12	8.0 ~ 13.8	0.48	5.76	2600	115.0	3.26	.25	64.1	45.5	360
5015KL-04W-B20-	E00	12	8.0 ~ 13.8	0.72	8.64	3100	139.0	3.94	.36	89.7	50.5	360
5015KL-04W-B30-	E00	12	8.0 ~ 13.8	0.98	11.76	3600	163.0	4.62	.48	119.7	55.0	360
5015KL-04W-B40-	E00	12	8.0 ~ 13.8	1.44	17.28	4000	180.0	5.11	.59	147.8	57.5	360
5015KL-04W-B50-	E00	12	8.0 ~ 13.2	2.04	24.48	4400	199.0	5.64	.71	176.5	60.5	360
5015KL-05W-B10-	E00	24	18.0 ~ 27.6	0.22	5.28	2600	115.0	3.26	.25	64.1	45.5	360
5015KL-05W-B20-	E00	24	18.0 ~ 27.6	0.34	8.16	3100	139.0	3.94	.36	89.7	50.5	360
5015KL-05W-B30-	E00	24	18.0 ~ 27.6	0.51	12.24	3600	163.0	4.62	.48	119.7	55.0	360
5015KL-05W-B40-	E00	24	18.0 ~ 27.6	0.68	16.32	4000	180.0	5.11	.59	147.8	57.5	360
5015KL-05W-B50-	E00	24	18.0 ~ 26.4	0.90	21.60	4400	199.0	5.64	.71	176.5	60.5	360
5015KL-07W-B10-	E00	48	36.0 ~ 55.2	0.17	8.16	2600	115.0	3.26	.25	64.1	45.5	360
5015KL-07W-B20-	E00	48	36.0 ~ 55.2	0.23	11.04	3100	139.0	3.94	.36	89.7	50.5	360
5015KL-07W-B30-	E00	48	36.0 ~ 55.2	0.33	15.84	3600	163.0	4.62	.48	119.7	55.0	360
5015KL-07W-B40-	E00	48	36.0 ~ 55.2	0.38	18.24	4000	180.0	5.11	.59	147.8	57.5	360
5015KL-07W-B50-	E00	48	36.0 ~ 52.8	0.45	21.60	4400	199.0	5.64	.71	176.5	60.5	360