



BG0801 ($\varnothing 80 \times 18^L$)



EMINEBEA.COM

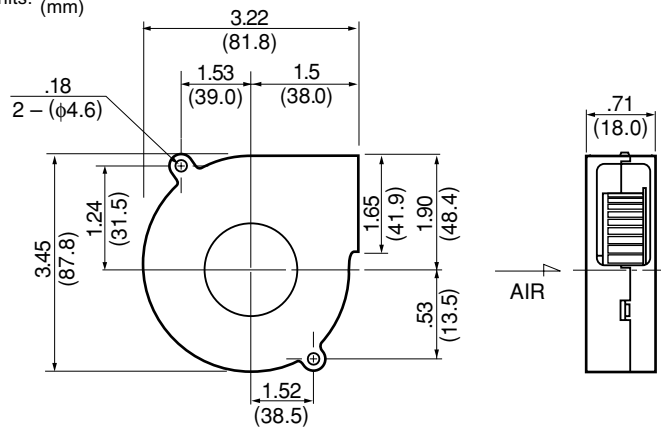
General Specifications

Allowable Ambient Temperature Range:

- 10°C ~ +50°C (Operating)
- 40°C ~ +50°C (Storage)
- (non-condensing environment)

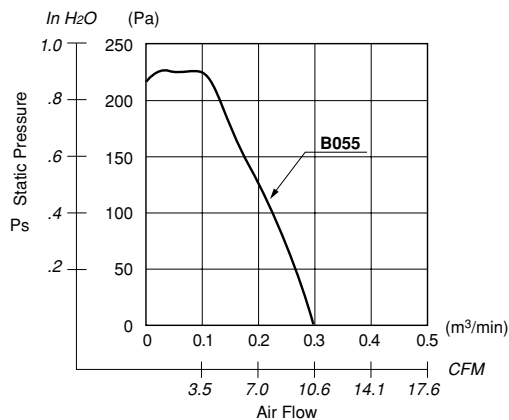
Outline

Units: $\frac{\text{inch}}{\text{(mm)}}$



End Of Life Product
Not Recommended For New Design

Characteristic Curves



Material

- Casing : Plastic (Black) 94V-0
- Impeller : Plastic (Black) 94V-0
- Bearing : Ball Bearing
- Lead Wire: UL1007, AWG26, +Red, -Black

Specifications

MODEL	Product No.	Rated Voltage	Operating Voltage	Current	Input Power	Speed	Max. Air Flow		Max. Static Pressure		Noise	Mass
		(V)	(V)	(A)*1	(W)*1	(min ⁻¹)*1	CFM*1	(m³/min)*1	in H ₂ O	(Pa)*1	(dB)*1	(g)
BG0801-B055-000-	00	24	21.6 ~ 26.4	0.29	3.48	3400	10.2	0.29	.87	219	45	-

Rotation: Counterclockwise

*1: Average Values in Free Air