

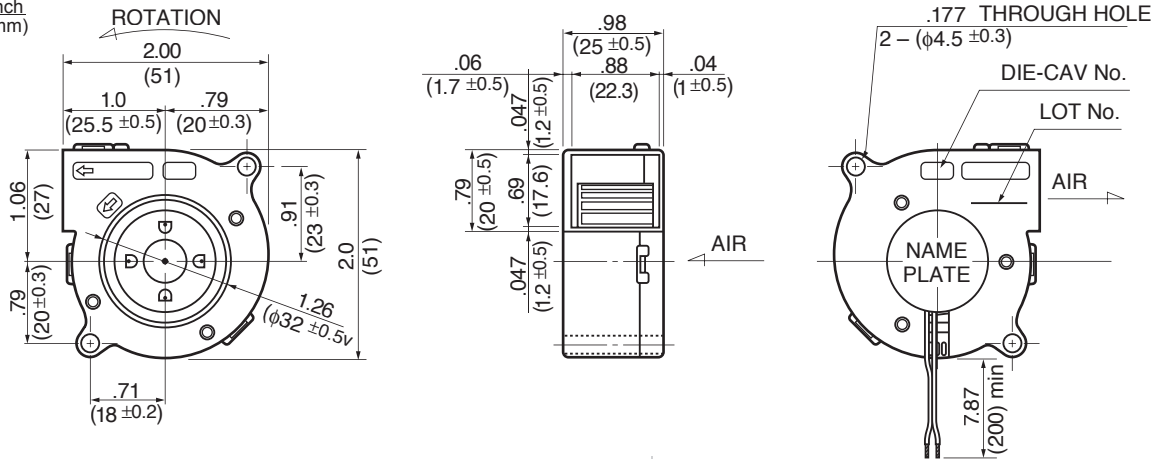


General Specifications

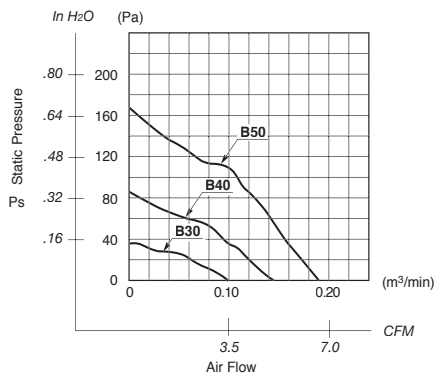
Allowable Ambient Temperature Range:
 B50 Class: -10°C ~ +60°C (Operating)
 B30~B40 Class: -10°C ~ +70°C (Operating)
 All Class: -40°C ~ +70°C (Storage)
 (non-condensing environment)

Outline

Units: $\frac{\text{inch}}{\text{mm}}$



Characteristic Curves



Material

Casing : Plastic (Black) 94V-0
 Impeller : Plastic (Black) 94V-0
 Bearing : Ball Bearing
 Lead Wire : UL1061, AWG26, +Red, -Black

Specifications

| MODEL | Product No. | Rated Voltage | Operating Voltage | Current | Input Power | Speed | Max. Air Flow | | Max. Static Pressure | | Noise | Mass |
|-----------------|-------------|---------------|-------------------|-------------------|-------------------|------------------------------------|-------------------|-------------------------------------|----------------------|--------------------|--------------------|------|
| | | (V) | (V) | (A) ^{*1} | (W) ^{*1} | (min ⁻¹) ^{*1} | CFM ^{*1} | (m ³ /min) ^{*1} | in H ₂ O | (Pa) ^{*1} | (dB) ^{*1} | (g) |
| BM5125-04W-B30- | L00 | 12 | 10.2 ~ 13.8 | 0.06 | 0.72 | 2500 | 3.5 | 0.10 | .14 | 35 | 27.0 | 35 |
| BM5125-04W-B40- | L00 | 12 | 10.2 ~ 13.8 | 0.13 | 1.56 | 3500 | 5.3 | 0.15 | .34 | 85 | 34.0 | 35 |
| BM5125-04W-B50- | L00 | 12 | 10.2 ~ 13.8 | 0.24 | 2.88 | 4500 | 6.7 | 0.19 | .64 | 160 | 41.0 | 35 |

Rotation: Counterclockwise

*1: Average Values in Free Air