



General Specifications

Allowable Ambient Temperature Range:

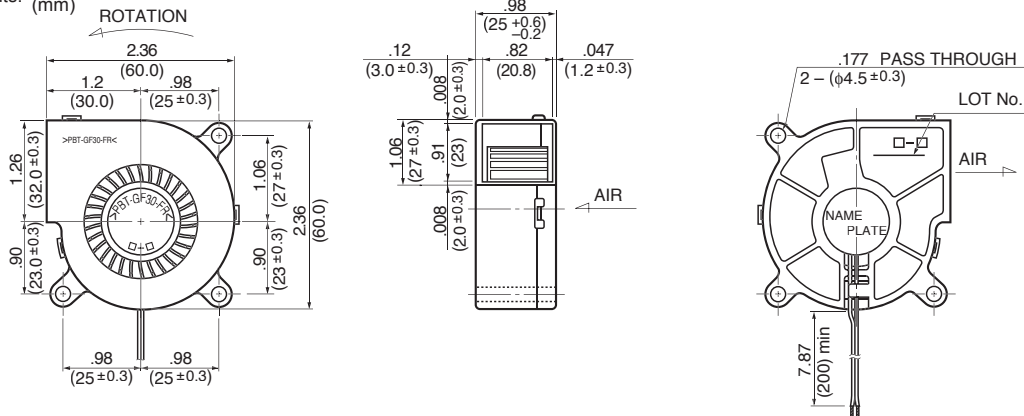
- 10°C ~ +60°C (Operating)
- 40°C ~ +60°C (Storage)
- (non-condensing environment)

Expected Life

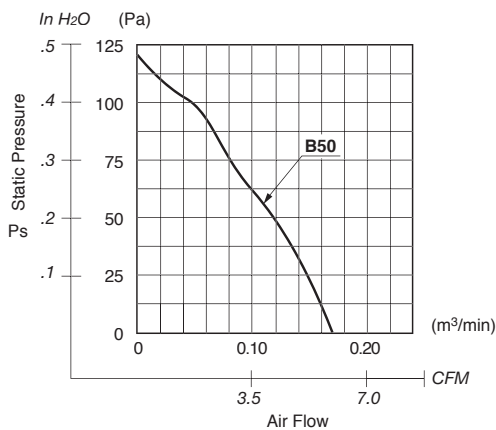
- Failure Rate: 10%
- 25°C 40,000 Hours (T00)

Outline

Units: $\frac{\text{inch}}{\text{mm}}$



Characteristic Curves



Material

- Casing : Plastic (Black) 94V-0
- Impeller : Plastic (Black) 94V-0
- Bearing : Ball Bearing
- Lead Wire : UL1061, AWG26, +Red, -Black

Specifications

MODEL	Product No.	Rated Voltage	Operating Voltage	Current	Input Power	Speed	Max. Air Flow		Max. Static Pressure		Noise	Mass
		(V)	(V)	(A) ^{*1}	(W) ^{*1}	(min ⁻¹) ^{*1}	CFM ^{*1}	(m ³ /min) ^{*1}	in H ₂ O	(Pa) ^{*1}	(dB) ^{*1}	(g)
BM6025-04W-B50-	T00	12	10.0 ~ 13.0	0.32	3.84	3500	6.0	0.17	0.48	121.9	31	35

Rotation: Counterclockwise

*1: Average Values in Free Air