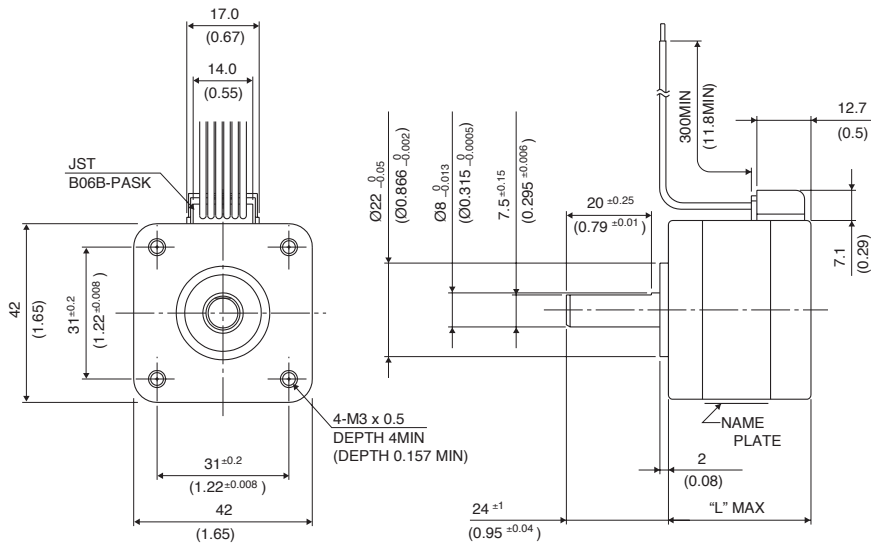


Hybrid

	"L"
F17PMK049x	34 (1.34)
F17PMK342x	38 (1.50)
F17PMK442x	48 (1.89)
F17PMKA39x	60 (2.36)

## Outline

### Long Life



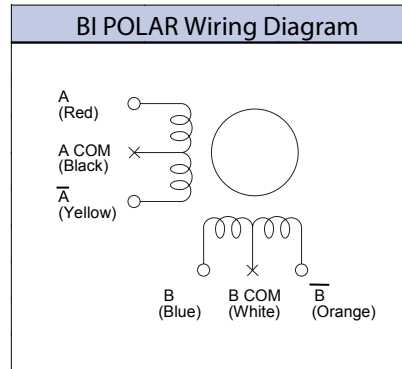
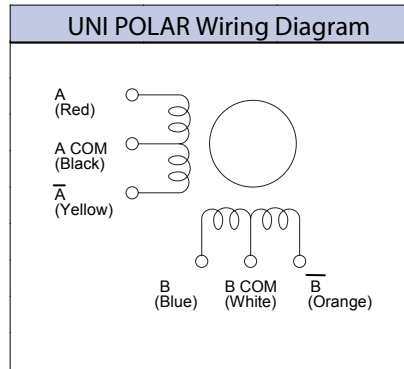
### General Specifications

Step Accuracy: ±5%  
 Temperature Rise: 80°C MAX  
 Ambient Temperature Range: -10 °C ~ +50 °C  
 Insulation Resistance: 100MΩ MIN. DC500V  
 Dielectric Strength: AC500V 1min  
 Radial Play: 20μm MAX. (at 4.4N {450gf} [Load])  
 End Play: 80μm MAX. (at 4.4N {450gf} [Load])

## Specifications

Model	Motor Length (mm)	Step Angle (deg)	Drive Sequence	Rated Current (A)	Resistance (Ohms)	Holding Torque (mNm)	Inductance (mH)	Rotor Inertia (g·cm <sup>2</sup> )	Detent Torque (mNm)	Mass (g)
F17PMK049USTDCN	34	1.8	UNI-POLAR	1.0	3.1	181	3.4	39	8.3	220
F17PMK342USTDCN	38	1.8	UNI-POLAR	1.4	2.0	225	2.6	51	8.5	270
F17PMK442USTDCN	48	1.8	UNI-POLAR	1.4	2.8	362	3.6	78	12.5	370
F17PMKA39USTDCN	60	1.8	UNI-POLAR	1.4	2.9	431	4.2	115	16.2	510
F17PMK049BSTDCN	34	1.8	BI-POLAR	0.7	6.2	246	13.6	39	8.3	220
F17PMK342BSTDCN	38	1.8	BI-POLAR	0.9	4.0	283	10.4	51	8.5	270
F17PMK442BSTDCN	48	1.8	BI-POLAR	0.9	5.6	452	14.4	78	12.5	370
F17PMKA39BSTDCN	60	1.8	BI-POLAR	1.0	5.8	597	16.8	115	16.2	510

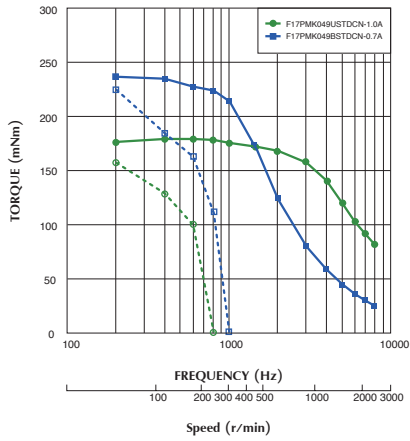
## Specifications



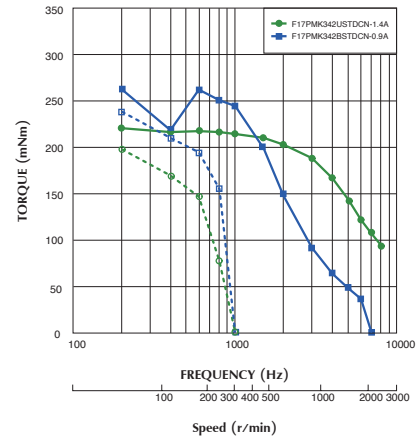
\*Do not connect A COM and B COM. Please insulate individually.  
 \*Apply 70% of Unipolar rated current.

## Torque/Speed Characteristics

Model No.: F17PMK049USTDCN / BSTDCN  
 Driver: Chopper Dual  
 Supply Voltage: 24.0 V (DC)

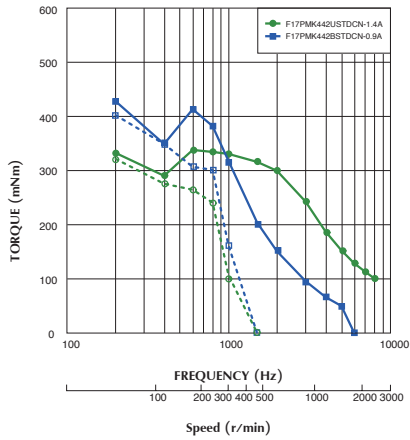


Model No.: F17PMK342USTDCN / BSTDCN  
 Driver: Chopper Dual  
 Supply Voltage: 24.0 V (DC)



## Torque/Speed Characteristics

Model No.: F17PMK442USTDCN / BSTDCN  
 Driver: Chopper Dual  
 Supply Voltage: 24.0 V (DC)



Model No.: F17PMKA39USTDCN / BSTDCN  
 Driver: Chopper Dual  
 Supply Voltage: 24.0 V (DC)

