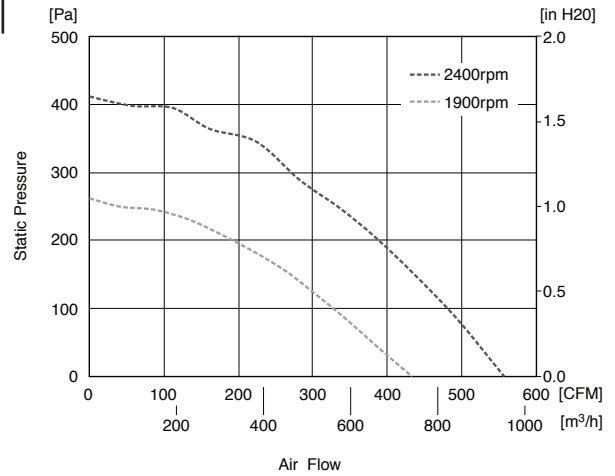




Characteristic Curves



General Specifications

Motor Protection:

Locked Rotor, Reverse Polarity

Insulation Resistance:

10M Ω min measured with 500V DC between all leads shorted together and case

Dielectric Withstand Voltage: AC 500V 1 minute

Allowable Ambient Temperature Range:

-30°C ~ +70°C (Operating)
-40°C ~ +80°C (Storage)

Expected Life

L10 Life:

40°C 70,000 Hours

Material

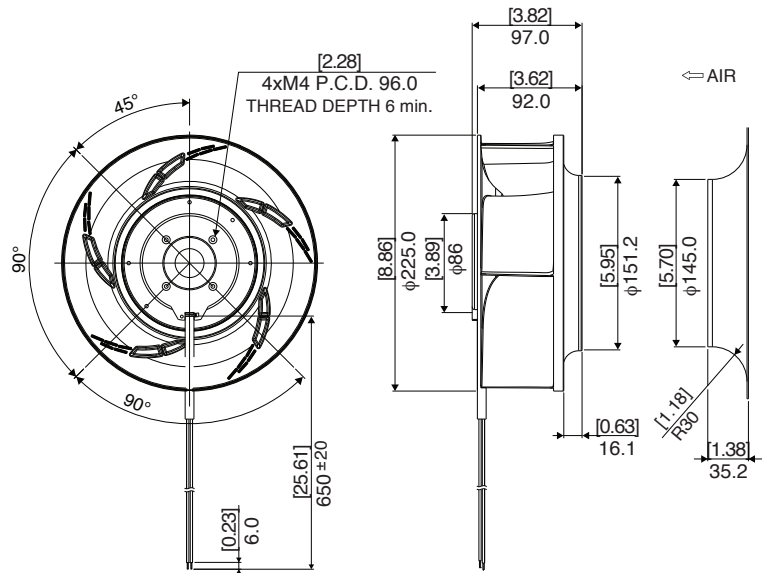
Impeller : Plastic

Bearing : Ball Bearing

Lead Wire : UL1430, AWG18, +Red, -Black,
Speed Control = Yellow,
Speed Signal = White

Outline

Units: [inch]
mm



Specifications

MODEL	Rated Voltage	Operating Voltage	Current	Input Power	Speed	Max. Air Flow		Max. Static Pressure		Noise	Mass
	(V)	(V)	(A)*1	(W)*1	(min ⁻¹)*1	CFM*1	(m³/hr)*1	in H ₂ O	(Pa)*1	(dB)*1	(g)
F225C1-092-D0720	48	36 ~ 72	1.1	52.8	2400	555	943	1.64	410	66	1350
F225C2-092-D0710	48	36 ~ 72	0.6	28.8	1900	433	736	1.05	262	58	1350

Rotation: Clockwise looking at Air Inlet

*1: Average Values in Free Air and Rated Voltage Condition