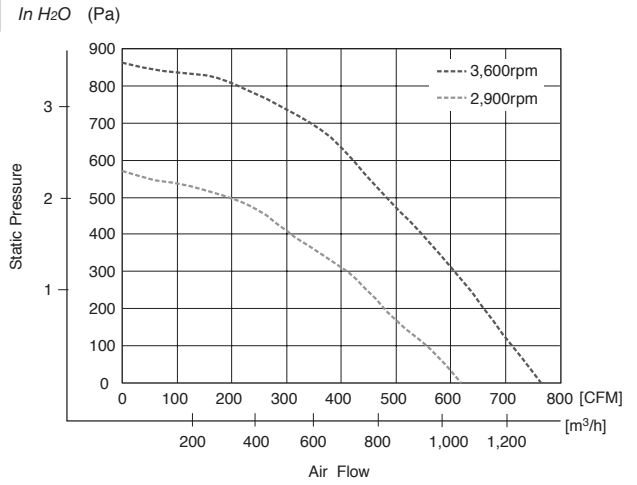




Characteristic Curves



General Specifications

Motor Protection:

Locked Rotor, Reverse Polarity

Insulation Resistance:

10M Ω min measured with 500V DC between all leads shorted together and case

Dielectric Withstand Voltage: AC 500V 1 minute

Allowable Ambient Temperature Range:

-30°C ~ +70°C (Operating)
-40°C ~ +80°C (Storage)

Expected Life

L10 Life:

40°C 70,000 Hours

Material

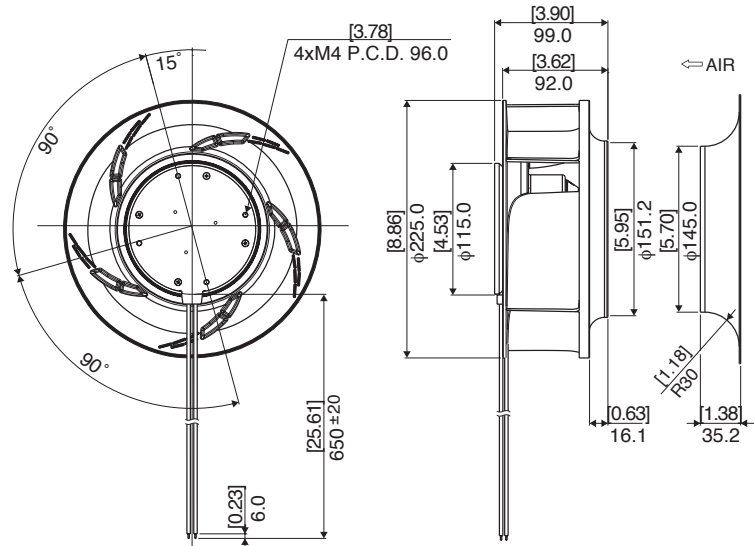
Impeller : Plastic

Bearing : Ball Bearing

Lead Wire: UL1015, AWG18, +Red, -Black,
Speed Control = Yellow,
Speed Signal = White

Outline

Units: [inch]
mm



Specifications

MODEL	Rated Voltage	Operating Voltage	Current	Input Power	Speed	Max. Air Flow		Max. Static Pressure		Noise	Mass
	(V)	(V)	(A) ^{*1}	(W) ^{*1}	(min ⁻¹) ^{*1}	CFM ^{*1}	(m³/hr) ^{*1}	in H ₂ O	(Pa) ^{*1}	(dB) ^{*1}	(g)
F225A2-092-D0730	48	36 ~ 72	3.60	172.8	3600	756	1284	3.44	904	79	2100
F225A3-092-D0720	48	36 ~ 72	2.00	98.0	2900	600	1020	2.30	582	74	2100
F225A4-092-D0530	24	18 ~ 30	6.90	165.6	3600	756	1284	3.44	904	79	2100
F225A5-092-D0520	24	18 ~ 30	3.90	93.6	2900	600	1020	2.30	582	74	2100

Rotation: Clockwise looking at Air Inlet

*1: Average Values in Free Air and Rated Voltage Condition