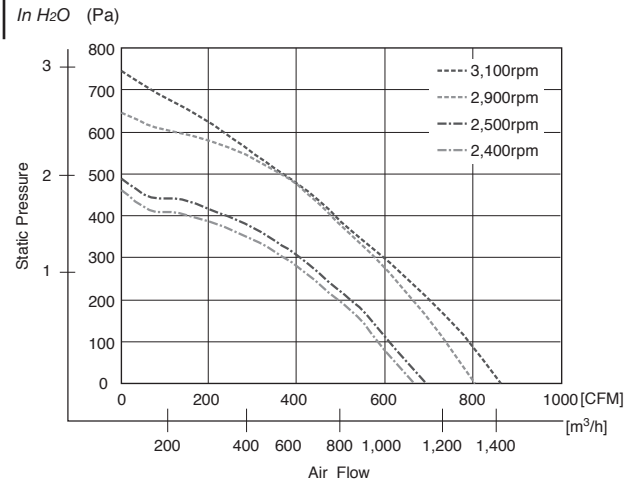




## Characteristic Curves



## General Specifications

### Motor Protection:

Locked Rotor, Reverse Polarity

### Insulation Resistance:

10M Ω min measured with 500V DC between all leads shorted together and case

### Dielectric Withstand Voltage: AC 500V 1 minute

### Allowable Ambient Temperature Range:

-30°C ~ +70°C (Operating)  
-40°C ~ +80°C (Storage)

## Expected Life

### L10 Life:

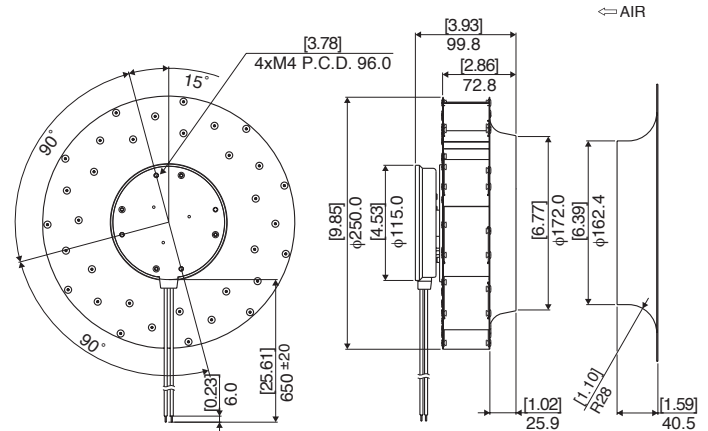
40°C 70,000 Hours

## Material

Impeller : Steel  
Bearing : Ball Bearing  
Lead Wire : UL1015, AWG18, +Red, -Black,  
Speed Control = Yellow,  
Speed Signal = White

## Outline

Units:  $\frac{[inch]}{mm}$



## Specifications

MODEL	Rated Voltage	Operating Voltage	Current	Input Power	Speed	Max. Air Flow		Max. Static Pressure		Noise	Mass
	(V)	(V)	(A) <sup>*1</sup>	(W) <sup>*1</sup>	(min <sup>-1</sup> ) <sup>*1</sup>	CFM <sup>*1</sup>	(m³/hr) <sup>*1</sup>	in H <sub>2</sub> O	(Pa) <sup>*1</sup>	(dB) <sup>*1</sup>	(g)
F250A3-072-D0730	48	36 ~ 72	3.40	163.2	3100	862	1465	3.10	777	81	2400
F250A4-072-D0720	48	36 ~ 72	1.90	91.2	2500	693	1177	2.04	511	74	2400
F250A5-072-D0520	24	18 ~ 30	6.10	146.4	2900	806	1369	2.66	664	78	2400
F250A6-072-D0520	24	18 ~ 30	3.50	84.0	2400	668	1135	1.90	476	73	2400

Rotation: Clockwise looking at Air Inlet

\*1: Average Values in Free Air and Rated Voltage Condition