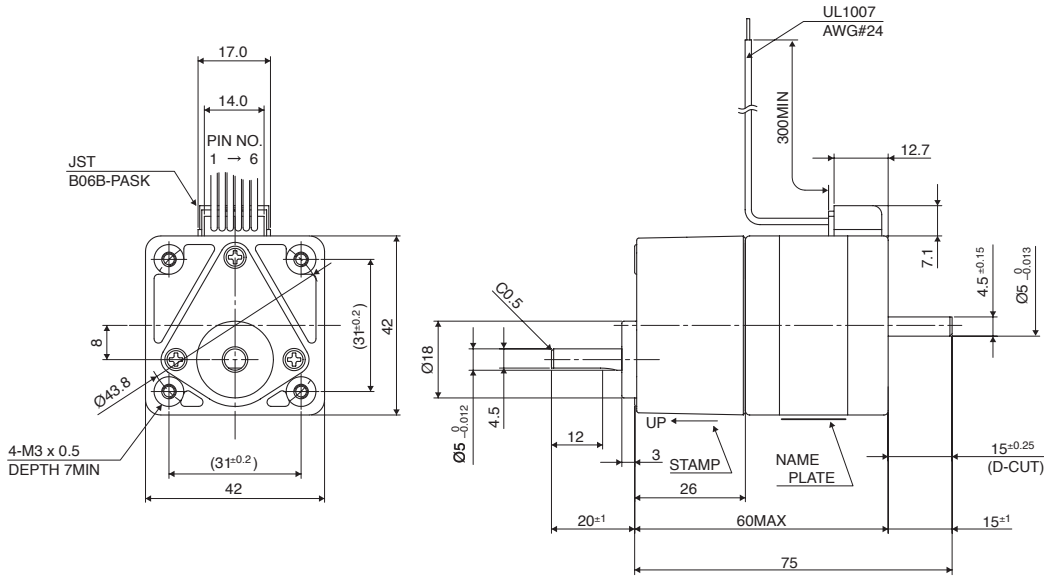




■ Outline

Hybrid Stepping Motor with Gearbox (GS series) 42 □



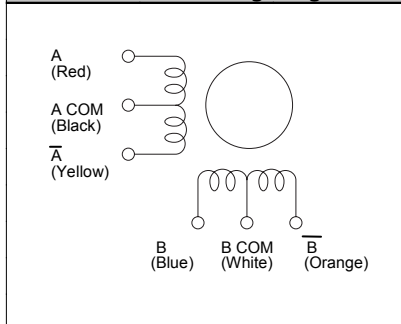
General Specifications

Temperature Rise: 80°C MAX
 Ambient Temperature Range: -10 °C ~ +50°C
 Insulation Resistance: 100M Ω MIN. DC500V
 Dielectric Strength: AC 500V 1min
 Permissible Radial Load (at 10mm from shaft end): 19.6N (2kgf)
 Permissible Thrust Load: 14.7N (1.5kgf)

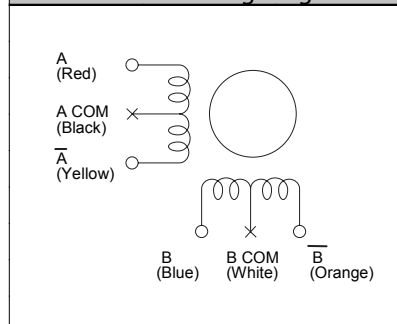
PIN NO. vs. PHASE

PHASE	A	A COM	\bar{A}	B	B COM	\bar{B}
PIN NO.	3	2	1	4	5	6

UNI POLAR Wiring Diagram



BI POLAR Wiring Diagram



* No need to connect A COM and B COM.
 Please insulate individually.
 * Apply 70% of Unipolar rated current.

Specifications

Model	Rated Current (A)	Resistance (Ohms)	Step Angle (deg)	Gear Ratio (1 : X)	Permissible Torque (Nm (kgf · cm))	Permissible Speed Range (r/min)	Backlash (min(deg))	Mass (g)
GS0036-17M001	0.85	4.2	0.5	1 : 3.6	0.2 (2.04)	0 ~ 500	2° & under	310
GS0072-17M001	0.85	4.2	0.25	1 : 7.2	0.4 (4.08)	0 ~ 250	2° & under	310
GS0090-17M001	0.85	4.2	0.2	1 : 9	0.5 (5.10)	0 ~ 200	2° & under	310
GS0100-17M001	0.85	4.2	0.18	1 : 10	0.56 (5.70)	0 ~ 180	2° & under	310
GS0180-17M001	0.85	4.2	0.1	1 : 18	0.8 (8.16)	0 ~ 100	2° & under	320
GS0360-17M001	0.85	4.2	0.05	1 : 36	0.8 (8.06)	0 ~ 50	2° & under	320
GS0500-17M001	0.85	4.2	0.036	1 : 50	0.8 (8.06)	0 ~ 36	2° & under	320
GS1000-17M001	0.85	4.2	0.018	1 : 100	0.8 (8.06)	0 ~ 18	2° & under	320

*Drive Sequence: Unipolar

*Leadwires will be supplied with the motor

*Direction of rotation of the motor and that of the gear output shaft are the same for the gear ratios 1 : 3.6, 1 : 7.2 and 1 : 10. It is the opposite for 1 : 20 and 1 : 30 gear ratio

Torque/Speed Characteristics

