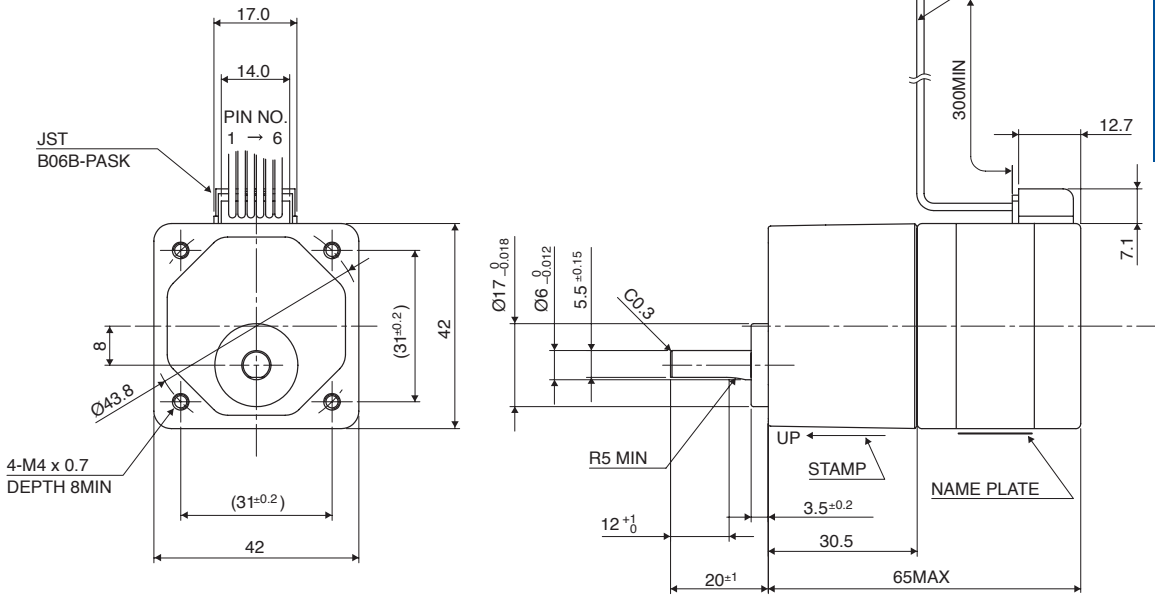


HYBRID

Outline

Hybrid Stepping Motor with Gearbox Low Backlash (GT series) 42□

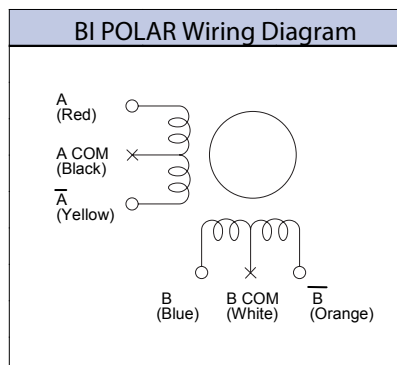
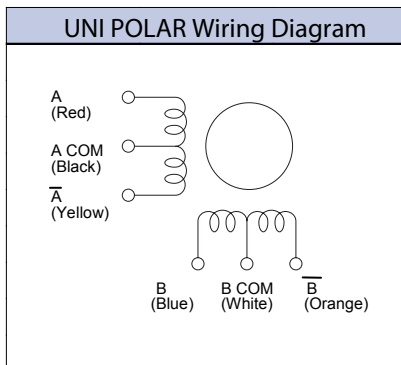


General Specifications

Temperature Rise: 80°C MAX
 Ambient Temperature Range: -10 °C ~ +50°C
 Insulation Resistance: 100M Ω MIN. DC500V
 Dielectric Strength: AC 500V 1min
 Permissible Radial Load (at 10mm from shaft end): 19.6N (2kgf)
 Permissible Thrust Load: 14.7N (1.5kgf)

PIN NO. vs. PHASE

PHASE	A	A COM	\bar{A}	B	B COM	\bar{B}
PIN NO.	3	2	1	4	5	6



* No need to connect A COM and B COM.
 Please insulate individually.
 * Apply 70% of Unipolar rated current.

Specifications

Model	Rated Current	Resistance	Step Angle	Gear Ratio	Permissible Torque	Permissible Speed Range	Backlash	Mass
	(A)	(Ohms)	(deg)	(1 : X)	(Nm (kgf · cm))	(r/min)	(min(deg))	(g)
GT0036-17M000	1.0	3.1	0.5	1 : 3.6	0.35 (3.6)	0 ~ 500	45 (0.75)	340
GT0072-17M000	1.0	3.1	0.25	1 : 7.2	0.7 (7.1)	0 ~ 250	25 (0.417)	340
GT0100-17M000	1.0	3.1	0.18	1 : 10	1 (10.2)	0 ~ 180	25 (0.417)	340
GT0200-17M000	1.0	3.1	0.09	1 : 20	1.5 (15.3)	0 ~ 90	15 (0.25)	340
GT0300-17M000	1.0	3.1	0.06	1 : 30	1.5 (15.3)	0 ~ 60	15 (0.25)	340

*Drive Sequence: Unipolar

*Leadwires will be supplied with the motor

*Direction of rotation of the motor and that of the gear output shaft are the same for the gear ratios 1 : 3.6, 1 : 7.2 and 1 : 10. It is the opposite for 1 : 20 and 1 : 30 gear ratio

Torque/Speed Characteristics

