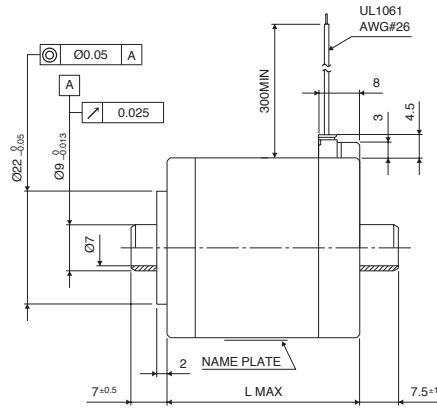
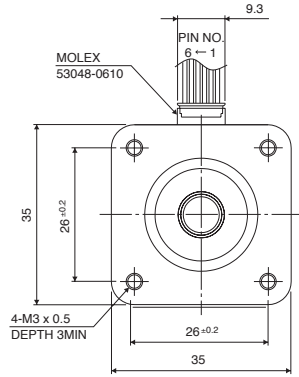


## Outline

### Hollow Shaft



Hybrid

### General Specifications

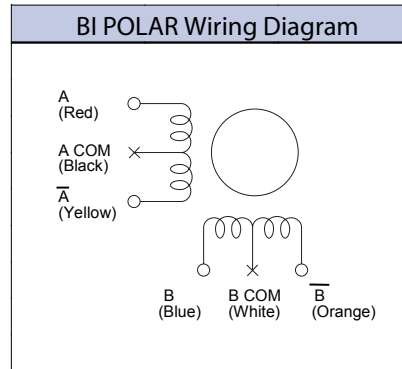
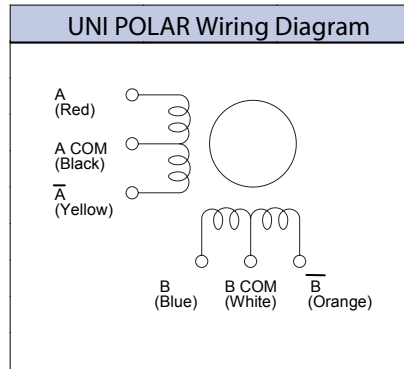
Step Accuracy:  $\pm 5\%$   
 Temperature Rise: 80°C MAX  
 Ambient Temperature Range: -10 °C ~ +50 °C  
 Insulation Resistance: 100MΩ MIN. DC500V  
 Dielectric Strength: AC500V 1min  
 Radial Play: 20μm MAX. (at 4.4N {450gf} [Load])  
 End Play: 80μm MAX. (at 4.4N {450gf} [Load])

	"L"
H14PMM2XX	22 (0.86)
H14PMM0XX	26 (1.02)
H14PMM1XX	38 (1.50)
H14PMM4XX	53 (2.09)

## Specifications

Model	Motor Size (mm)	Step Angle (deg)	Drive Sequence	Rated Current (A)	Resistance (Ohms)	Holding Torque (mNm)	Inductance (mH)	Rotor Inertia (g·cm <sup>2</sup> )	Mass (g)
H14PMM247USTDCN	□ 35 x 22	1.8	UNI-POLAR	0.8	1.9	34	0.8	5	105
H14PMM047USTDCN	□ 35 x 26	1.8	UNI-POLAR	0.8	2.4	50	1.5	8	120
H14PMM144USTDCN	□ 35 x 38	1.8	UNI-POLAR	1	2.7	100	2.0	11	200
H14PMM444USTDCN	□ 35 x 53	1.8	UNI-POLAR	1	4	160	3.2	32	300
H14PMM247BSTDCN	□ 35 x 22	1.8	BI-POLAR	0.6	3.8	46	3.2	5	105
H14PMM047BSTDCN	□ 35 x 26	1.8	BI-POLAR	0.6	4.8	75	5.6	8	120
H14PMM144BSTDCN	□ 35 x 38	1.8	BI-POLAR	0.85	5.4	160	7.6	11	200
H14PMM444BSTDCN	□ 35 x 53	1.8	BI-POLAR	0.7	8.0	210	12.8	32	300

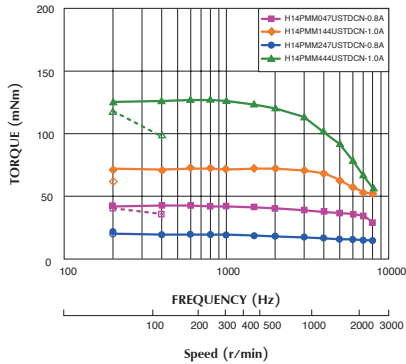
## Specifications



\*Do not connect A COM and B COM. Please insulate individually.  
 \*Apply 70% of Unipolar rated current.

## Torque/Speed Characteristics

Model No. H14PMM047,M144,M247,M444USTDCN  
 Driver: Chopper Dual  
 Supply Voltage: 24.0 V (DC)



Model No. H14PMM047,M144,M247,M444BSTDCN  
 Driver: Chopper Dual  
 Supply Voltage: 24.0 V (DC)

