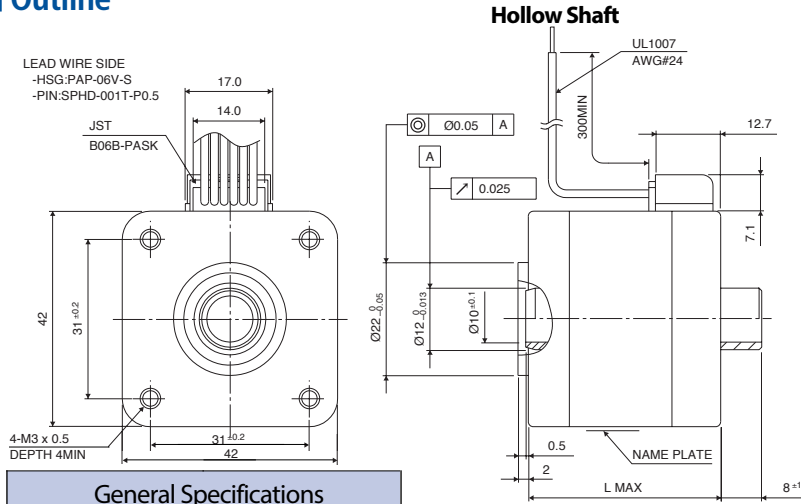


Outline



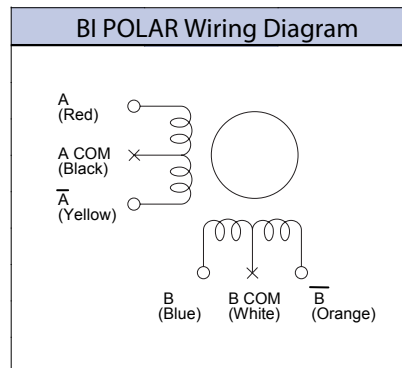
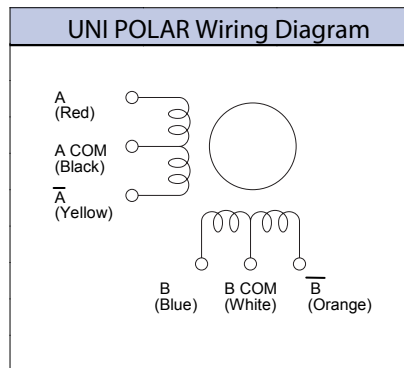
Hybrid

General Specifications
Step Accuracy: ±5%
Temperature Rise: 80°C MAX
Ambient Temperature Range: -10 °C ~ +50 °C
Insulation Resistance: 100MΩ MIN. DC500V
Dielectric Strength: AC500V 1min
Radial Play: 20μm MAX. (at 4.4N {450gf} [Load])
End Play: 80μm MAX. (at 4.4N {450gf} [Load])

	"L"
H17PMK3XX	38 (1.50)
H17PMK4XX	48 (1.89)

Specifications

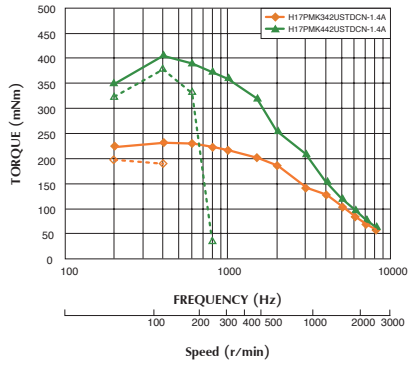
Model	Motor Size	Step Angle	Drive Sequence	Rated Current	Resistance	Holding Torque	Inductance	Rotor Inertia	Mass
	(mm)	(deg)		(A)	(Ohms)	(mNm)	(mH)	(g·cm ²)	(g)
H17PMK342USTDCN	□ 42 x 38	1.8	UNI-POLAR	1.4	2	220	2.9	63	250
H17PMK442USTDCN	□ 42 x 48	1.8	UNI-POLAR	1.4	2.8	370	4.3	90	350
H17PMK342BSTDCN	□ 42 x 38	1.8	BI-POLAR	0.9	4	270	11.2	63	250
H17PMK442BSTDCN	□ 42 x 48	1.8	BI-POLAR	0.9	5.6	450	17.2	90	350



* Do not connect A COM and B COM. Please insulate individually.
 * Apply 70% of Unipolar rated current.

Torque/Speed Characteristics

Model No. H17PMK342, K442USTDCN
 Driver: Chopper Dual
 Supply Voltage: 24.0 V (DC)



Model No. H17PMK342, K442BSTDCN
 Driver: Chopper Dual
 Supply Voltage: 24.0 V (DC)

