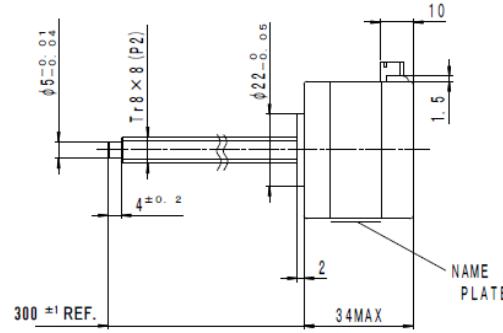
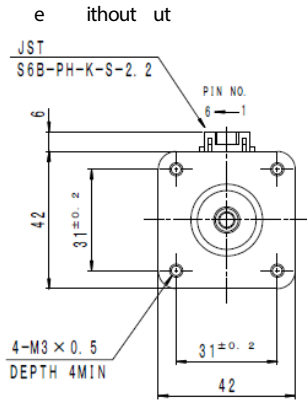
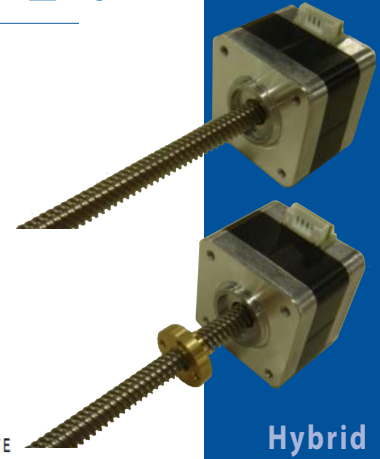


## Outline

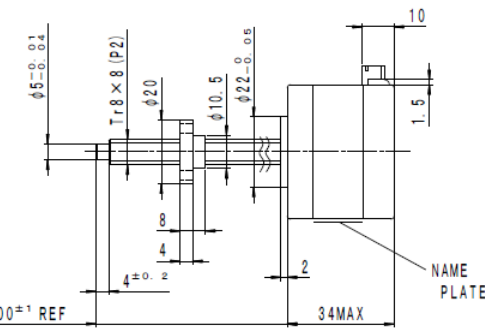
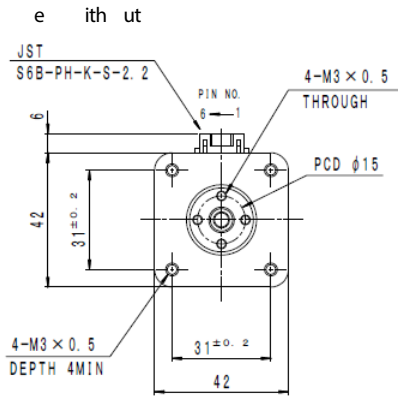
### External Linear



\* Various screw lengths are available



Hybrid



\* Various screw lengths are available  
\* Nut material: C3601~04BD

### General Specifications

Step Accuracy: ±5%  
 Temperature Rise: 80 M AX  
 Ambient Temperature Range: -20 +50  
 Insulation Resistance: 100MΩ MIN D C500V  
 Dielectric Strength: AC500V 1min  
 Radial Play: 20μm MAX (at 4.4N 450gf [Load])  
 End Play: 80μm MAX (at 4.4N 450gf [Load])

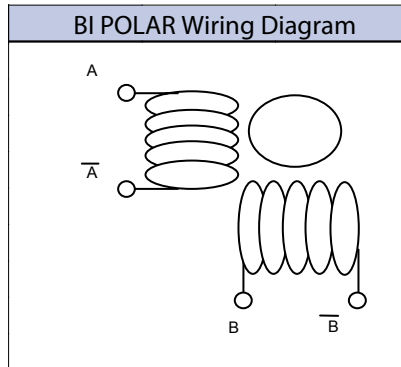
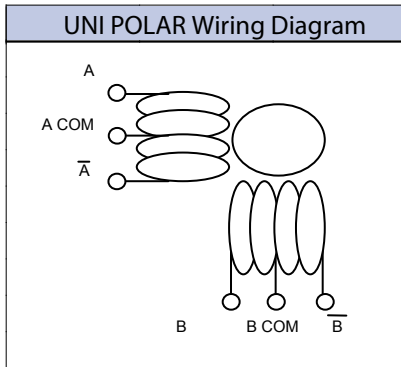
### PIN NO. vs. PHASE

PHASE	A	A COM	$\bar{A}$	B	B COM	$\bar{B}$
PIN NO.	4	5	6	3	2	1

## Specifications

Model	Motor Size (mm)	Step Angle (deg)	Drive Sequence	Rated Current (A)	Resistance (Ohms)	Holding Torque (mNm)	Inductance (mH)
L17PMK049U	□42×34	1.8	UNI-POLAR	1.0	3.2	200	3.2
L17PMK049B	□42×34	1.8	BI-POLAR	0.7	6.4	270	12.8

## Specifications



Lead Screw Specifications	
Length (mm)	300 REF.
Linear Travel/Step(mm)	0.040
Lead (mm)	8.0

\*Various screw lengths are available.

Precaution
Allowable Radial Load: Please avoid excessive load in use

## Torque/Speed Characteristics

Model No.: L17PMK049U & B  
 Driver: Chopper Dual  
 Supply Voltage: 24.0 V (DC)  
 Drive current: Rated Current

