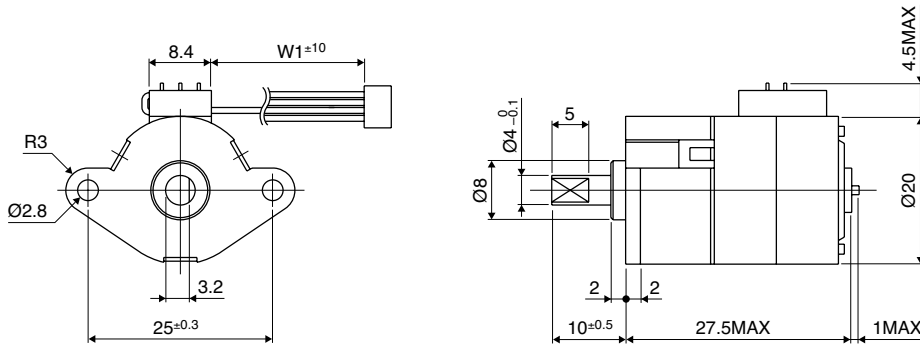


Dimensions



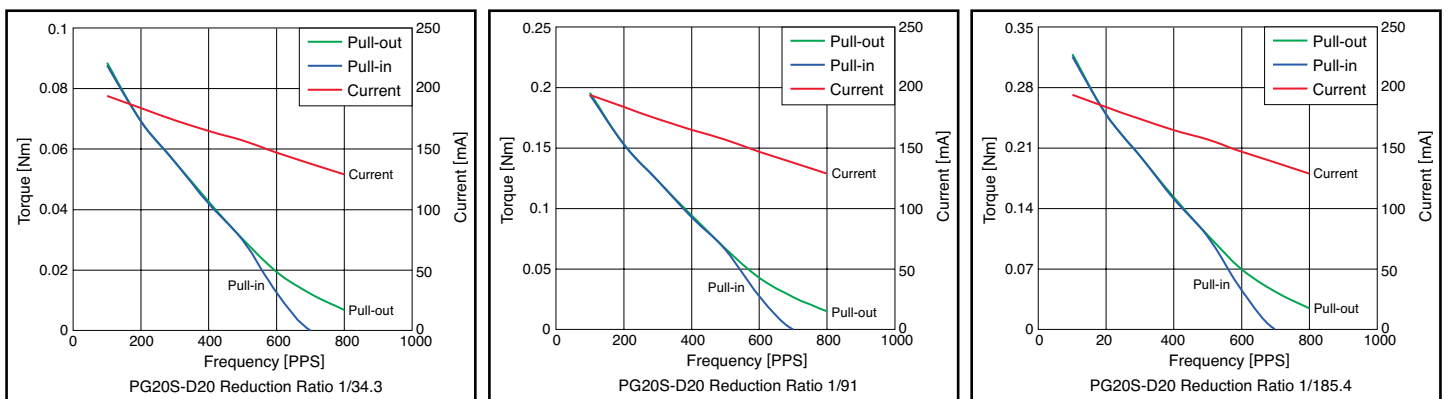
PG Motor

*Please contact our sales for inventory and lot information. Specification may be changed without notice.

Reference Characteristics

Motor Size	PG20S-D20		
Reduction Ratio	1/34.3	1/91	1/185.4
Drive Characteristics	Bipolar Const. Volt.		
Drive Voltage	12 [V]		
Drive Method	2-2 Phase		
Step Angle (2 phase drive)	0.524°	0.197°	0.097°
DC Resistance	120 [Ω]		
Insulation Resistance	100M [Ω] MIN		
Dielectric Strength	AC 500 [V] 1 [min]		
Class of Insulation	CLASS B		
Operating Temperature	-10[°C] ~ 50 [°C]		
Storage Temperature	-30 [°C] ~ 80 [°C]		
Operating Humidity	20 [%] RH ~ 90 [%] RH		

Torque Characteristics



These torque values are reference only. Heat radiation conditions and temperature rise effect by duty are different on each equipment, therefore please select motors after considering the actual equipment.

Applications

- Home electric appliances: Air-conditioners
- OA Equipment: Printers/Photocopiers
- Power Tools: Drills/Drivers