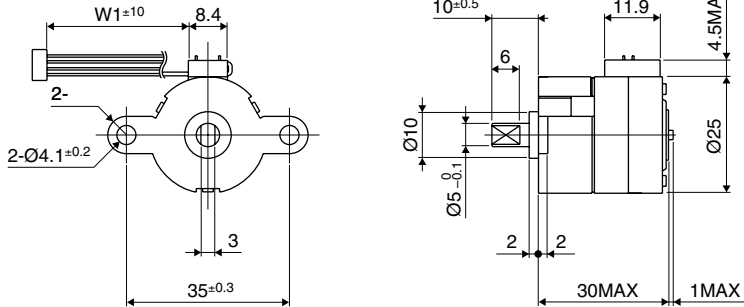


Outline

Gearbox



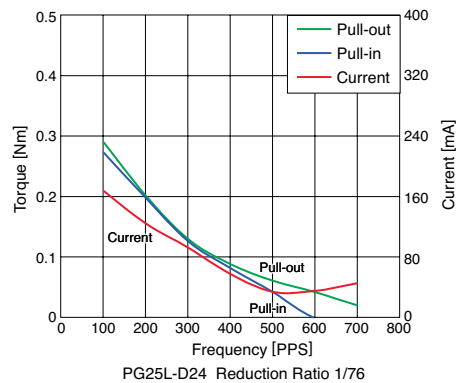
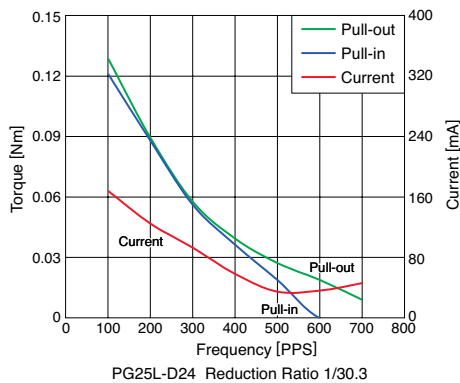
PG

*Please contact our sales for inventory and lot information. Specification may be changed without notice.

Specifications

Reduction Ratio	Drive Method	Drive Circuit	Drive Voltage	Step Angle (2 phase drive)	DC Resistance
1/30.3	2-2 Phase	Unipolar Const. Volt.	12 [V]	0.495°	110 [Ω]
1/76				0.197°	
Insulation Resistance	Dielectric Strength	Class of Insulation	Operating Temperature	Storage Temperature	Operating Humidity
100M [Ω] MIN	AC 500 [V] 1 [min]	CLASS B (except lead wire)	0 [°C] ~ 50 [°C]	-30 [°C] ~ 80 [°C]	20 [%] RH ~ 90 [%] RH

Torque/Speed Characteristics



These torque values are reference only. Heat radiation conditions and temperature rise effect by duty are different on each equipment, therefore please select motors after considering the actual equipment.

Applications

- Home Electric Appliances: Air-conditioners
- OA Equipment: Printers/Photocopiers
- Power Tools: Drills/Drivers