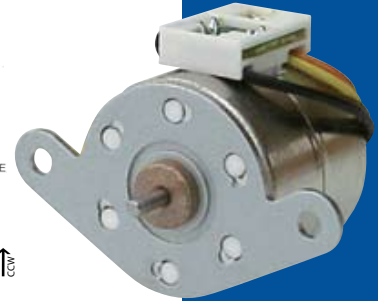
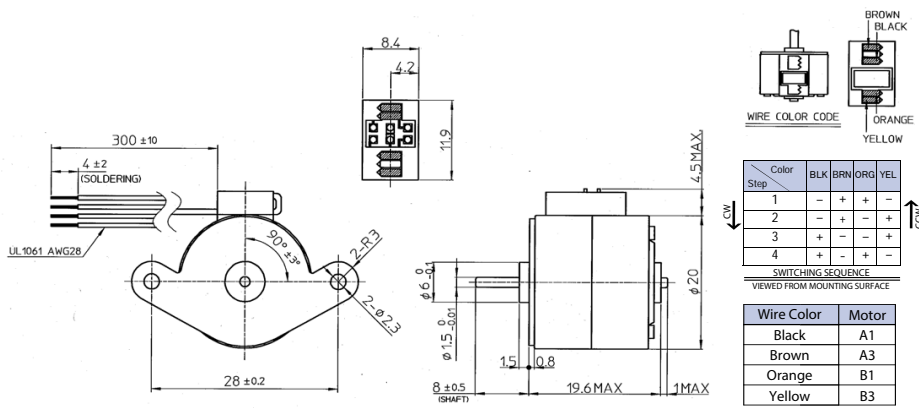


Outline

Standard



PM

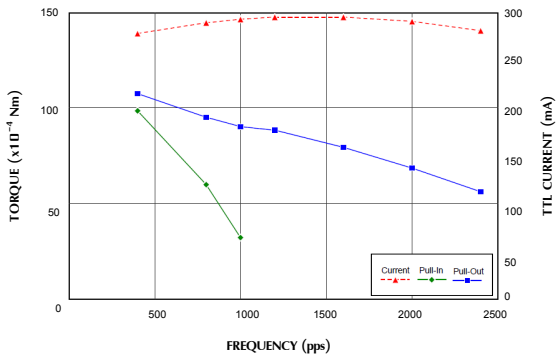
*Please contact our sales for inventory and lot information. Specification may be changed without notice.

Specifications

Model	Drive Method	Drive Mode	Drive Voltage	Surge/Current	Coil Resistance	Drive IC
PM20L-020-HHC3	2-2 Phase	Bipolar Chopper	24 [V]	/400 [mA]/Phase (Peak)	13 [Ω]	UDN2916B-V

Magnet Material	Stator Material	Shaft Length	Wire Length	Wire Holder	Front Plate	Electrical
MS70A	SUY/SPC (Ni)	8mm	300mm fly lead (no connector)	90 deg. Left	FPH	24V, 400mA Bipolar Constant Current 13 ohms, MS70A

Torque/Speed Characteristics



(TTL Current = Over all current drawn by the driver) *pps = Hz

Frequency (pps)	400	800	1000	1200	1600	2000	2400
Pull-Out (x10 ⁻⁴ Nm)	107.5	95.1	90.2	88.5	79.2	68.5	55.9
Pull-In (x10 ⁻⁴ Nm)	98.3	59.8	32.0				
Current (mA)	278	289	293	295	295	291	281

Markings

Japan

NMB-MAT PM20L-020-HHC3
JAPAN H9804

Thailand

NMB-MAT PM20L-020-HHC3
THAILAND TA9804