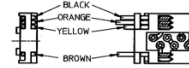
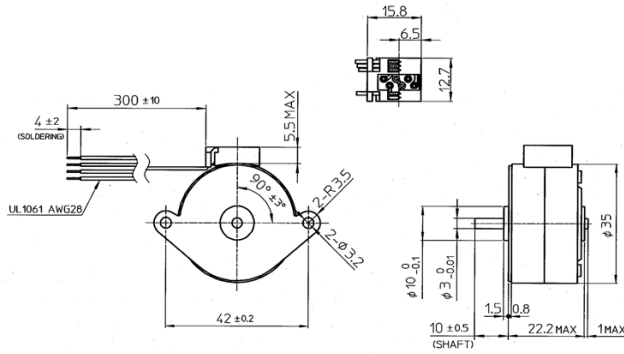


## Outline

### Standard



Color	BLK	ORG	BRN	YEL
Step 1	-	+	+	-
Step 2	-	-	+	+
Step 3	+	-	-	+
Step 4	+	+	-	-

SWITCHING SEQUENCE  
VIEWED FROM MOUNTING SURFACE

Wire Color	Motor
Black	A1
Brown	A3
Orange	B1
Yellow	B3



PM

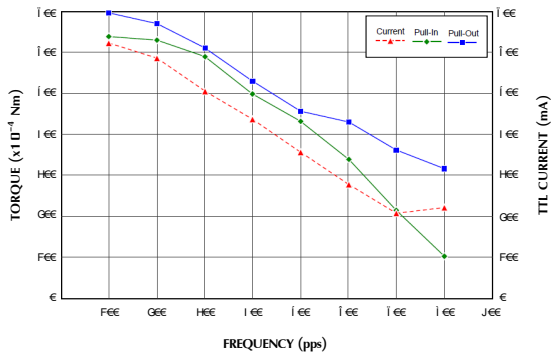
\*Please contact our sales for inventory and lot information. Specification may be changed without notice.

## Specifications

Model	Drive Method	Drive Mode	Drive Voltage	Surge/Current	Coil Resistance	Drive IC
PM35L-048-HHC7	2-2 Phase	Bipolar Chopper	24 [V]	/600 [mA]/Phase (Peak)	15 [Ω]	UDN2917EB

Magnet Material	Stator Material	Shaft Length	Wire Length	Wire Holder	Front Plate	Electrical
MS70M	SECC	10mm	300mm fly lead (no connector)	90 deg. Left	FPH	24V, 600mA Bipolar Constant Current 15 ohms, MS70M

## Torque/Speed Characteristics



(TTL Current = Over all current drawn by the driver) \*pps = Hz

Frequency (pps)	100	200	300	400	500	600	700	800
Pull-Out (x10 <sup>-4</sup> Nm)	695.3	668.8	610.0	528.6	456.0	429.5	361.9	315.8
Pull-In (x10 <sup>-4</sup> Nm)	637.5	629.6	588.4	497.2	431.5	338.3	213.8	102.0
Current (mA)	622	586	505	436	357	277	208	221

## Markings

Japan

NMB-MAT PM35L-048-HHC7  
JAPAN H9806

Thailand

NMB-MAT PM35L-048-HHC7  
THAILAND TA9806