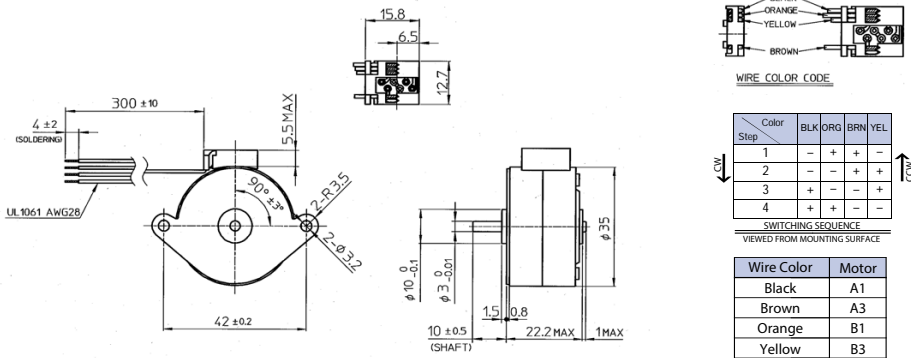


Dimensions

Standard PM Stepper Motor



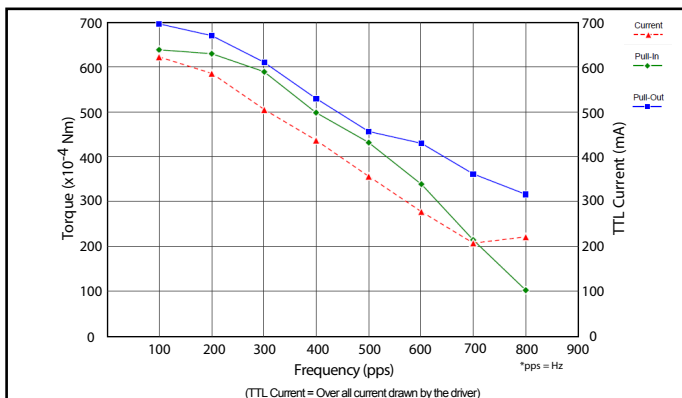
PM Motor

*Please contact our sales for inventory and lot information. Specification may be changed without notice.

Reference Characteristics

Model	PM35L-048-HHC7
Drive Mode	Bipolar Chopper
Drive Voltage	24.0 V
Method	2-2P
Drive IC	UDN2917EB
Surge/Current	/600 [mA]/Phase (Peak)
Coil Resistance	15.0 [Ω]
Magnet Material	MS70M
Stator Material	SECC
Shaft Length	10mm
Wire Length	300mm fly lead (no connector)
Wire Holder	90 deg. Left
Front Plate	FPH
Electrical	24V, 600mA Bipolar Constant Current 15 ohms, MS70M

Torque Characteristics



Frequency (pps)	100	200	300	400	500	600	700	800
Pull-Out (x10 ⁻⁴ Nm)	695.3	668.8	610.0	528.6	456.0	429.5	361.9	315.8
Pull-In (x10 ⁻⁴ Nm)	637.5	629.6	588.4	497.2	431.5	338.3	213.8	102.0
Current (mA)	622	586	505	436	357	277	208	221

These torque values are reference only. Heat radiation conditions and temperature rise effect by duty are different on each equipment, therefore please select motors after considering the actual equipment.

Markings

Japan

NMB-MAT PM35L-048-HHC7
JAPAN H9806

Thailand

NMB-MAT PM35L-048-HHC7
THAILAND TA9806