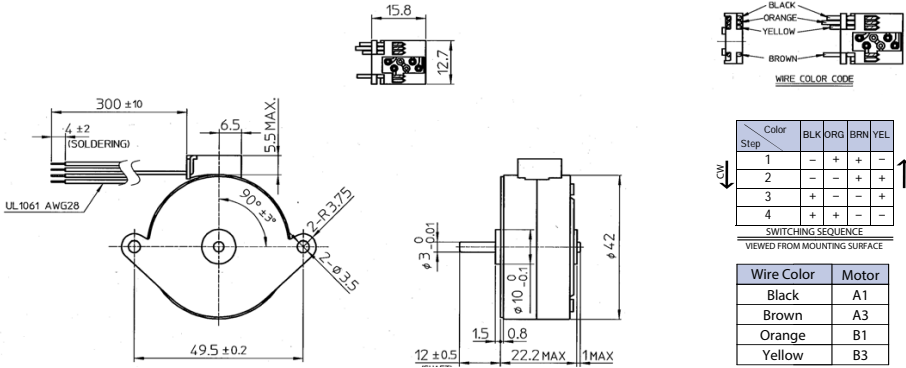


Outline

Standard



PM

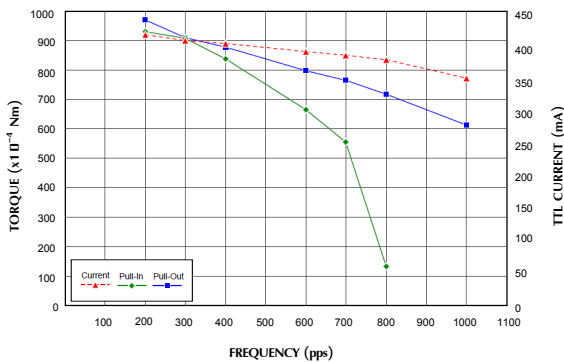
*Please contact our sales for inventory and lot information. Specification may be changed without notice.

Specifications

Model	Drive Method	Drive Mode	Drive Voltage	Surge/Current	Coil Resistance	Drive IC
PM42L-048-HHC9	2-2 Phase	Bipolar Chopper	24 [V]	/600 [mA]/Phase (Peak)	7 [Ω]	UDN2917EB

Magnet Material	Stator Material	Shaft Length	Wire Length	Wire Holder	Front Plate	Electrical
MS70M	SECC	12mm	300mm fly lead (no connector)	90 deg. Left	FPH	24V, 600mA Bipolar Constant Current 7 ohms, MS70M

Torque/Speed Characteristics



(TTL Current = Over all current drawn by the driver)

*pps = Hz

Frequency (pps)	200	300	400	600	700	800	1000
Pull-Out (x10 ⁻⁴ Nm)	968.0	909.1	875.8	796.3	764.0	716.9	611.0
Pull-In (x10 ⁻⁴ Nm)	928.7	906.2	837.5	663.9	553.1	131.4	
Current (mA)	414	405	400	388	382	375	347

Markings

Japan

NMB-MAT PM42L-048-HHC9
JAPAN H9817

Thailand

NMB-MAT PM42L-048-HHC9
THAILAND TA9817