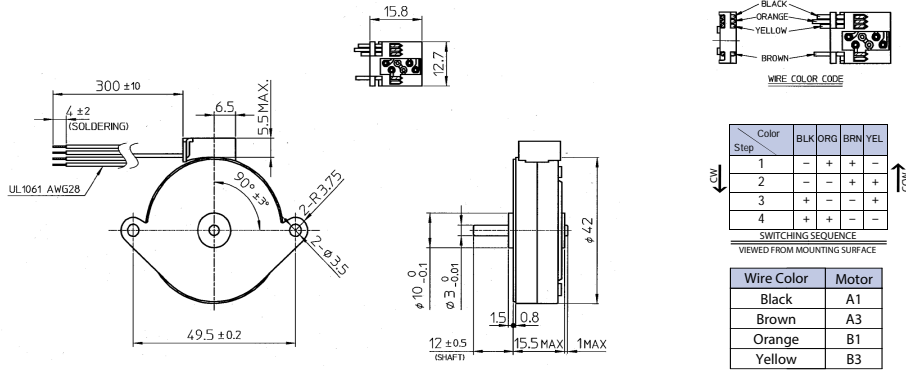


## Outline

### Standard



PM

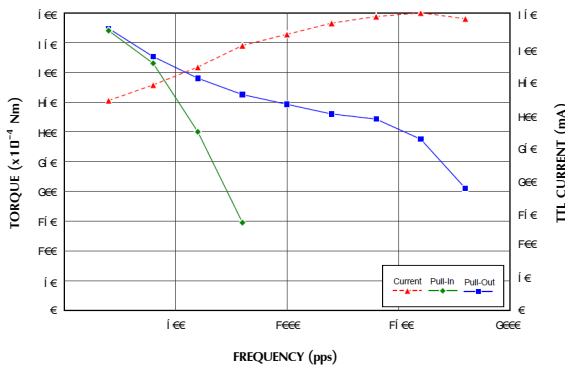
\*Please contact our sales for inventory and lot information. Specification may be changed without notice.

## Specifications

Model	Drive Method	Drive Mode	Drive Voltage	Surge/Current	Coil Resistance	Drive IC
PM42S-048-HHC8	2-2 Phase	Bipolar Chopper	24 [V]	/500 [mA]/Phase (Peak)	8 [Ω]	UDN2916B-V

Magnet Material	Stator Material	Shaft Length	Wire Length	Wire Holder	Front Plate	Electrical
MS70M	SECC	12mm	300mm fly lead (no connector)	90 deg. Left	FPH	24V, 600mA Bipolar Constant Current 8 ohms, MS70M

## Torque/Speed Characteristics



(TTL Current = Over all current drawn by the driver)

\*pps = Hz

Frequency (pps)	200	400	600	800	1000	1200	1400	1600	1800
Pull-Out (x10 <sup>-4</sup> Nm)	472.7	425.6	389.3	361.9	345.2	329.5	320.7	286.4	204.0
Pull-In (x10 <sup>-4</sup> Nm)	469.8	414.8	299.1	147.1					
Current (mA)	317	340	367	400	417	434	444	449	441

## Markings

Japan

NMB-MAT PM42S-048-HHC8  
JAPAN H9817

Thailand

NMB-MAT PM42S-048-HHC8  
THAILAND TA9817