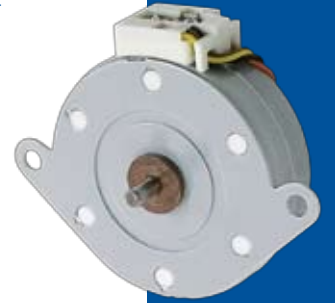
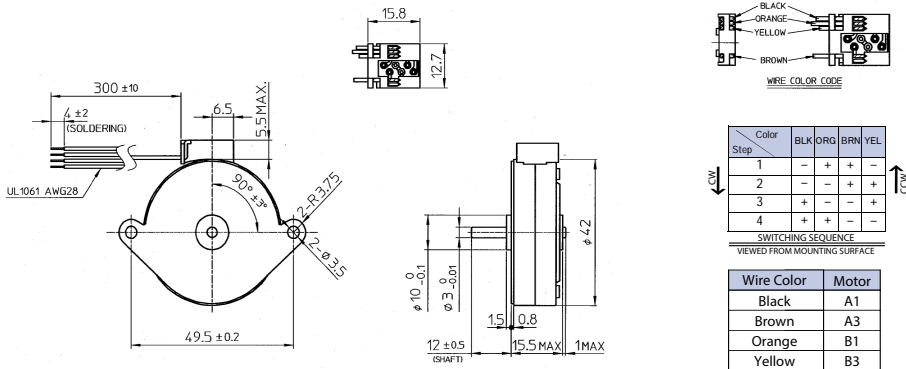


Dimensions

Standard PM Stepper Motor



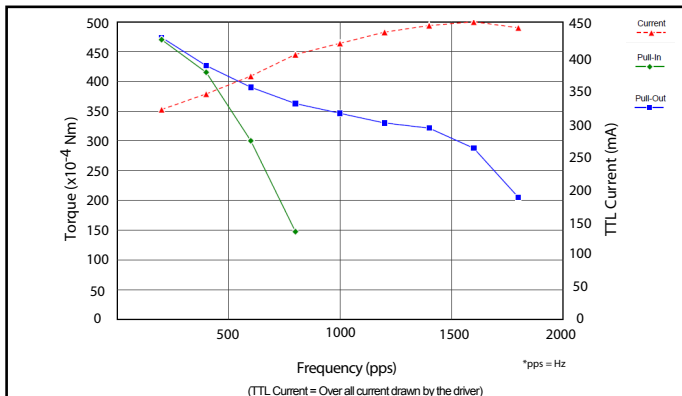
PM Motor

*Please contact our sales for inventory and lot information. Specification may be changed without notice.

Reference Characteristics

Model	PM42S-048-HHC8
Drive Mode	Bipolar Chopper
Drive Voltage	24.0 V
Method	2-2P
Drive IC	UDN2916B-V
Surge/Current	/500 [mA]/Phase (Peak)
Coil Resistance	8.0 [Ω]
Magnet Material	MS70M
Stator Material	SECC
Shaft Length	12mm
Wire Length	300mm fly lead (no connector)
Wire Holder	90 deg. Left
Front Plate	FPH
Electrical	24V, 600mA Bipolar Constant Current 8 ohms, MS70M

Torque Characteristics



		200	00	00	00	1000	1200	1 00	1600	1800
10	472.7	425.6	389.3	361.9	345.2	329.5	320.7	286.4	204.0	
10		1	2	1	147.1					
		1	0		00	1		449	441	

These torque values are reference only. Heat radiation conditions and temperature rise effect by duty are different on each equipment, therefore please select motors after considering the actual equipment.

Markings

Japan

NMB-MAT PM42S-048-HHC8
JAPAN H9817

Thailand

NMB-MAT PM42S-048-HHC8
THAILAND TA9817