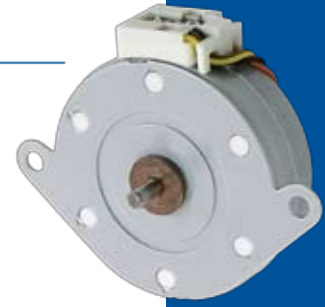
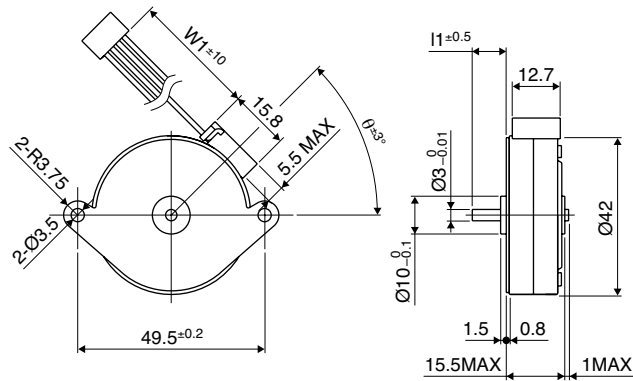


■ Dimensions



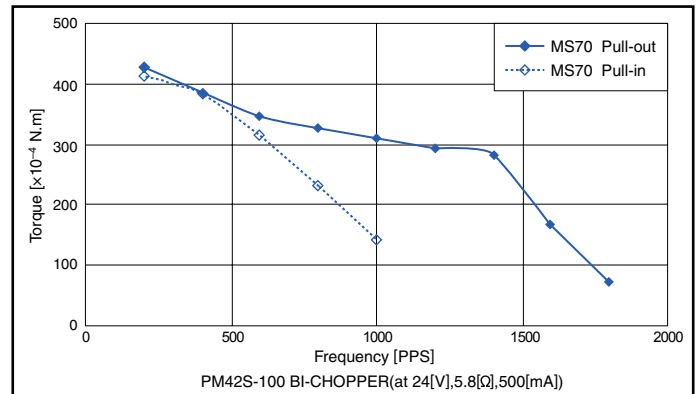
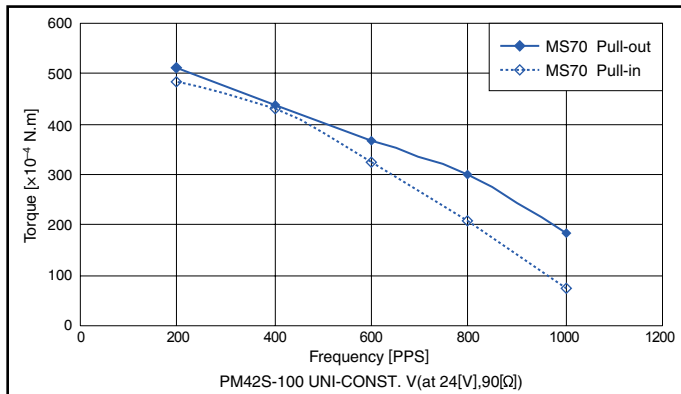
PM Motor

Please contact our sales for inventory and lot information. Specification may be changed without notice.

■ Reference Characteristics

Motor Size	PM42S-100	
Number of Steps per Rotation	100 (3.6°/Step)	
Drive Method	2-2 Phase	
Drive Circuit	Unipolar Const. Volt.	Bipolar Chopper
Drive Voltage	24 [V]	24[V]
Current/Phase	500 [mA]	
Coil Resistance/Phase	90 [Ω]	5.8[Ω]
Drive IC	2SC3346	UDN2916B-V
Magnet Material	Nd-Fe-B bonded magnet (MS70)	
Insulation Resistance	100M [Ω] MIN	
Dielectric Strength	AC 500 [V] 1 [min]	
Class of Insulation	CLASS E	
Operating Temperature	-10[°C] ~ 50 [°C]	
Storage Temperature	-30 [°C] ~ 80 [°C]	
Operating Humidity	20 [%] RH ~ 90 [%] RH	

■ Torque Characteristics



These torque values are reference only. Heat radiation conditions and temperature rise effect by duty are different on each equipment, therefore please select motors after considering the heat conditions in the actual equipment.

■ Applications

- OA Equipment: Printers/Scanners
- Toys: Slot Machines
- Industrial equipment: Flow control valves
- Home automation appliances: Sewing machines