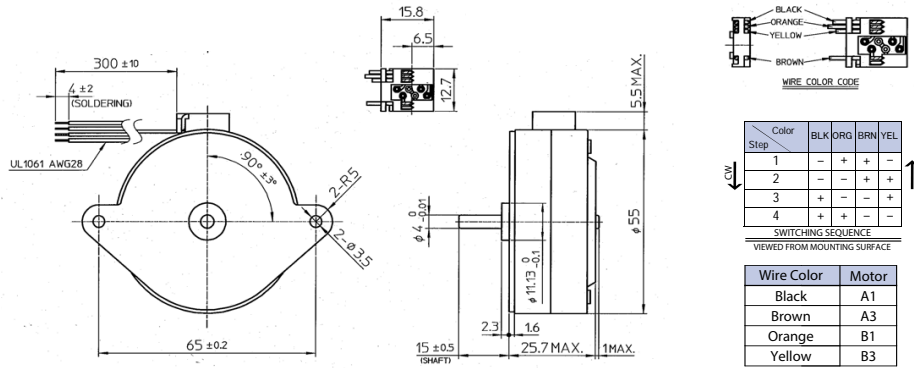


## Outline

### Standard



PM

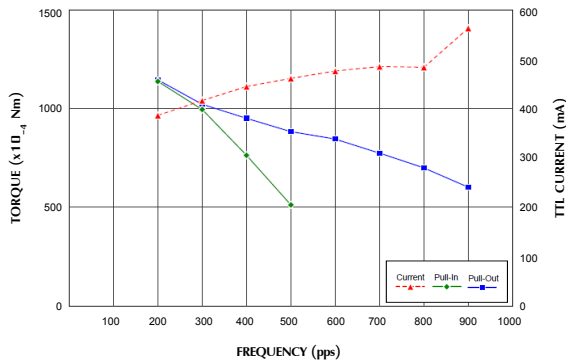
\*Please contact our sales for inventory and lot information. Specification may be changed without notice.

## Specifications

Model	Drive Method	Drive Mode	Drive Voltage	Surge/Current	Coil Resistance	Drive IC
PM55L-048-HHD0	2-2 Phase	Bipolar Chopper	24 [V]	/600 [mA]/Phase (Peak)	5.5 [Ω]	UDN2917EB

Magnet Material	Stator Material	Shaft Length	Wire Length	Wire Holder	Front Plate	Electrical
MS70M	SECC	15mm	300mm fly lead (no connector)	90 deg. Left	FPH (65 mm pitch)	24V, 600mA Bipolar Constant Current 2 ohms, MS70M

## Torque/Speed Characteristics



(TTL Current = Over all current drawn by the driver)

\*pps = Hz

Frequency (pps)	200	300	400	500	600	700	800	900
Pull-Out (x10 <sup>-4</sup> Nm)	1145.5	1022.9	950.3	884.6	844.4	772.8	700.2	600.2
Pull-In (x10 <sup>-4</sup> Nm)	1137.6	994.4	764.9	511.9				
Current (mA)	387	416	445	461	476	486	484	564

## Markings

Japan

NMB-MAT PM55L-048-HHD0  
JAPAN H9820

Thailand

NMB-MAT PM55L-048-HHD0  
THAILAND TA9820