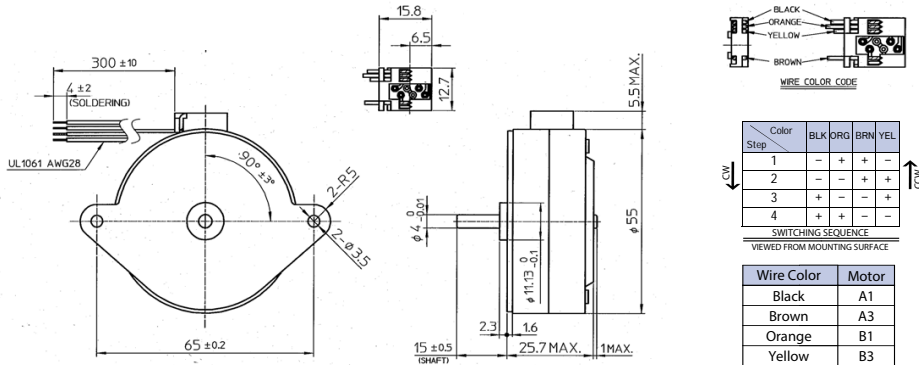


Dimensions

Standard PM Stepper Motor



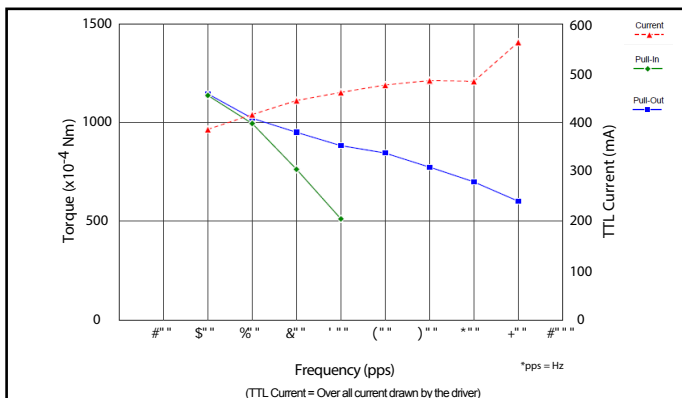
PM Motor

*Please contact our sales for inventory and lot information. Specification may be changed without notice.

Reference Characteristics

Model	PM [*] >048-HH6 [*]
Drive Mode	Bipolar Chopper
Drive Voltage	24.0 V
Method	2-2P
Drive IC	UDN291) 74
Surge/Current	/(00 [mA]/Phase (Peak)
Coil Resistance	' Z [Ω]
Magnet Material	MS70M
Stator Material	SECC
Shaft Length	1' mm
Wire Length	300mm fly lead (no connector)
Wire Holder	90 deg. Left
Front Plate	FPH/(' _ _ b f L Z f i
Electrical	24V, 600mA Bipolar Constant Current ' Z ohms, MS70M

Torque Characteristics



Current (mA)	200	300	400	500	600	700	800	900
Current	387	416	445	461	476	486	484	564

These torque values are reference only. Heat radiation conditions and temperature rise effect by duty are different on each equipment, therefore please select motors after considering the actual equipment.

Markings

Japan

NMB-MAT PM55L-048-HH0
JAPAN H9820

Thailand

NMB-MAT PM55L-048-HH0
THAILAND TA9820