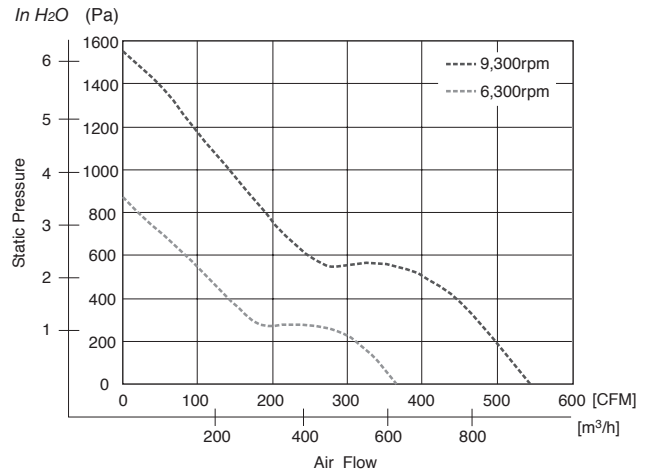




Characteristic Curves



General Specifications

Motor Protection:

Locked Rotor, Reverse Polarity

Insulation Resistance:

10M Ω min measured with 500V DC between all leads shorted together and case

Dielectric Withstand Voltage: AC 500V 1 minute

Allowable Ambient Temperature Range:

-30°C ~ +70°C (Operating)
-40°C ~ +80°C (Storage)

Expected Life

L10 Life:

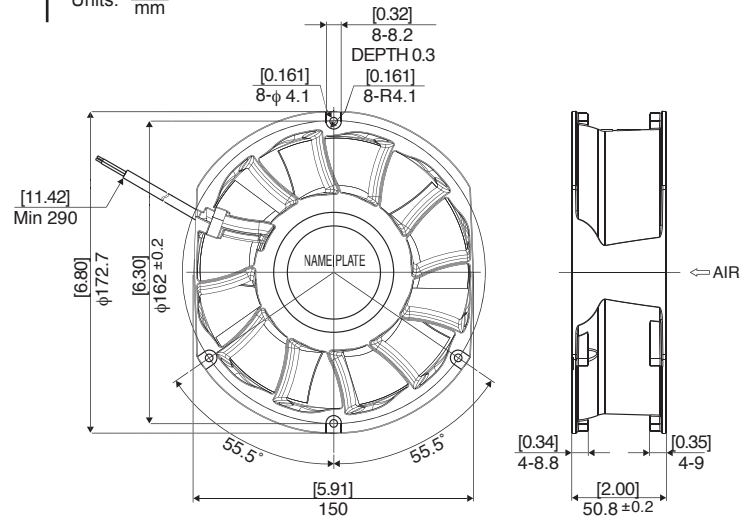
40°C 70,000 Hours

Material

Casing : Aluminum
Impeller : Plastic
Bearing : Ball Bearing
Lead Wire : UL3266, AWG22, +Red, -Black,
Speed Control = Yellow,
Speed Signal = White

Outline

Units: [inch]
mm



Specifications

MODEL	Rated Voltage	Operating Voltage	Current	Input Power	Speed	Max. Air Flow		Max. Static Pressure		Noise	Mass
	(V)	(V)	(A) ^{*1}	(W) ^{*1}	(min ⁻¹) ^{*1}	CFM ^{*1}	(m³/hr) ^{*1}	in H ₂ O	(Pa) ^{*1}	(dB) ^{*1}	(g)
R150A3-051-D0790	48	30 ~ 72	4.3	206.4	9300	555	943	6.58	1646	85	1000
R150A1-051-D0760	48	30 ~ 72	1.4	67.2	6300	365	620	3.10	774	73	1000
R150A4-051-D0590	24	18 ~ 30	8.8	211.2	9300	555	943	6.58	1646	85	1000
R150A6-051-D0560	24	18 ~ 30	2.6	62.4	6300	365	620	3.10	774	73	1000

Rotation: Counterclockwise looking at Air Inlet

Airflow Outlet: Air Out Over Struts

*1: Average Values in Free Air and Rated Voltage Condition