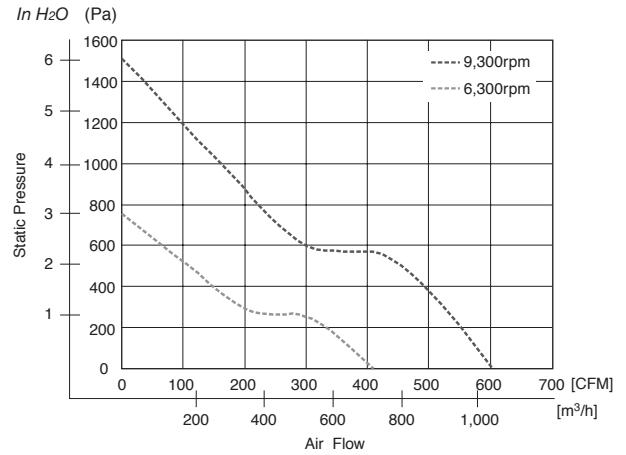




## Characteristic Curves



## General Specifications

### Motor Protection:

Locked Rotor, Reverse Polarity

### Insulation Resistance:

10M Ω min measured with 500V DC between all leads shorted together and case

### Dielectric Withstand Voltage: AC 500V 1 minute

### Allowable Ambient Temperature Range:

-30°C ~ +70°C (Operating)  
-40°C ~ +80°C (Storage)

## Expected Life

### L10 Life:

40°C 70,000 Hours

## Material

Casing : Aluminum

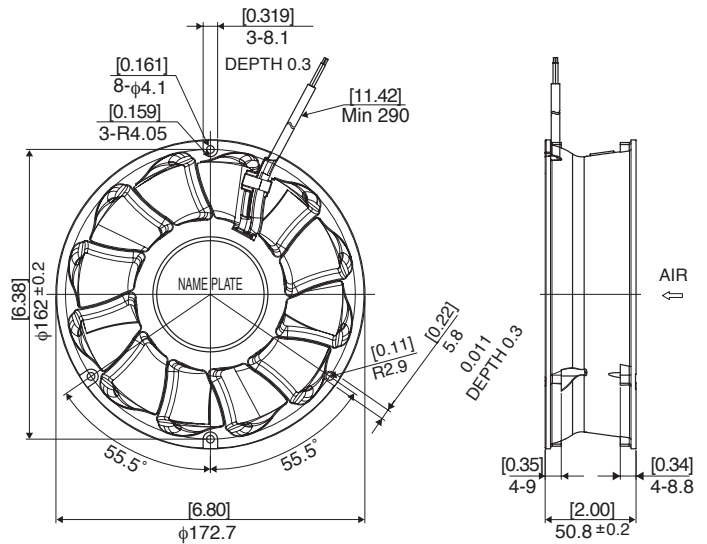
Impeller : Plastic

Bearing : Ball Bearing

Lead Wire : UL3266, AWG22, +Red, -Black,  
Speed Control = Yellow  
Speed Signal = White

## Outline

Units: [inch]  
mm



## Specifications

MODEL	Rated Voltage	Operating Voltage	Current	Input Power	Speed	Max. Air Flow		Max. Static Pressure		Noise	Mass
	(V)	(V)	(A) <sup>*1</sup>	(W) <sup>*1</sup>	(min <sup>-1</sup> ) <sup>*1</sup>	CFM <sup>*1</sup>	(m <sup>3</sup> /hr) <sup>*1</sup>	in H <sub>2</sub> O	(Pa) <sup>*1</sup>	(dB) <sup>*1</sup>	(g)
R172A0-051-D0790	48	30 ~ 72	4.20	201.6	9300	585	994	6.10	1524	82	1050
R172A5-051-D0760	48	30 ~ 72	1.60	76.8	6300	410	697	3.23	782	74	1050
R172A8-051-D0590	24	18 ~ 30	8.6	206.4	9300	585	994	6.10	1524	82	1050
R172A9-051-D0560	24	18 ~ 30	2.8	67.2	6300	410	697	3.23	782	74	1050

Rotation: Counterclockwise looking at Air Inlet

Airflow Outlet: Air Out Over Struts

\*1: Average Values in Free Air and Rated Voltage Condition